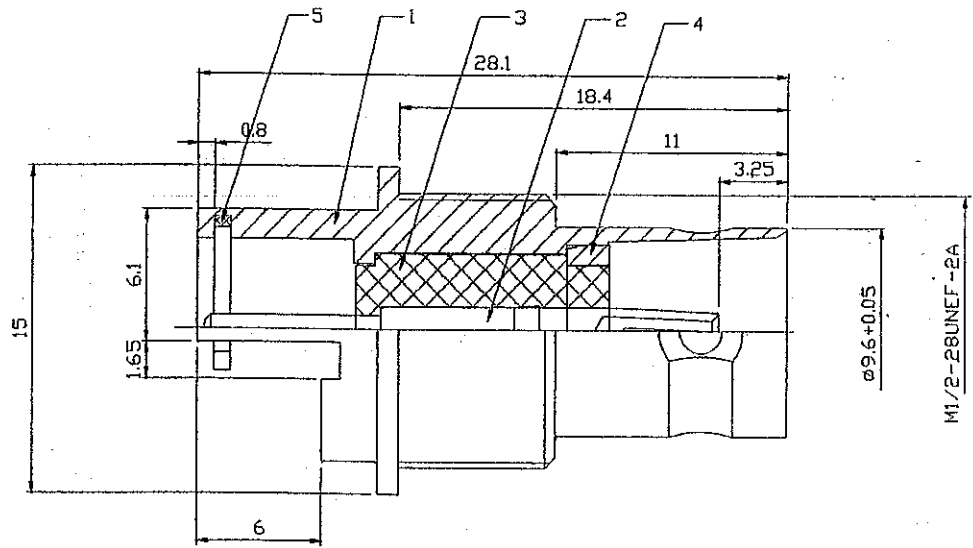
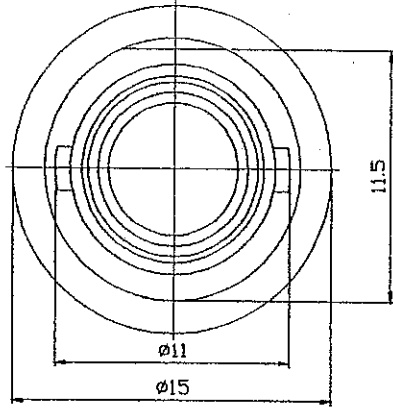


RoHS COMPLIANT

REV	ECO NO.	DATE	BY	APP'D
A	REL TO PRODUCTION PER ECO 001	1/22/10	KL	
B	polypropylene chng to teflon PER ECO 002	2/01/10	KL	



**ELECTRICAL**  
 Impedance: 50 Ohms  
 Insulation resistance: 5000 MegOhms  
 Contact resistance: 10 MilliOhms  
 Dielectric withstanding voltage: 1500V  
 Frequency range: 0~3G Hz  
 VSWR: 1.15 Max. (0~3G)

**MATERIAL**  
 1.Body: HP59-1 Nickel plated  
 2.Contact: Hp59-1 with gold plated  
 3.Insulator: Teflon  
 4.Lock washer: HP59-1 Nickel plated  
 5.Mounting washer: HP59-1 Nickel plated  
 Durability: 500 Min.  
 Operating temperature range: -40°C ~+155°C

Tolerance	
.x	±0.2
.xx	±0.1
ang.	±2°

UNIT: mm

CONFIDENTIAL



© Copyright 2010 Regal Electronics, Inc.  
 This drawing is the property of Regal Electronics and contains confidential information, trade secret information and/or know-how which is the property of Regal Electronics. By accepting this drawing, the recipient agrees not to provide, or otherwise make available, the drawing or any information or know-how embodied therein, to any third party without prior written authorization.

DRAWN:	KIM	DATE:	1/22/10
CHECKED:		DATE:	
ENGINEER:		DATE:	
APPROVED:		DATE:	
APPROVED:		DATE:	
APPROVED:		DATE:	

TITLE:		BNC CONNECTOR PCB MOUNT	
SIZE:	DRAWING NO.	REV:	
B	BNC-31101-HM-50R	B	
SCALE:	SHEET		1 OF 1
NONE			

C-BNC-31101-HM-50R