

5

4

3

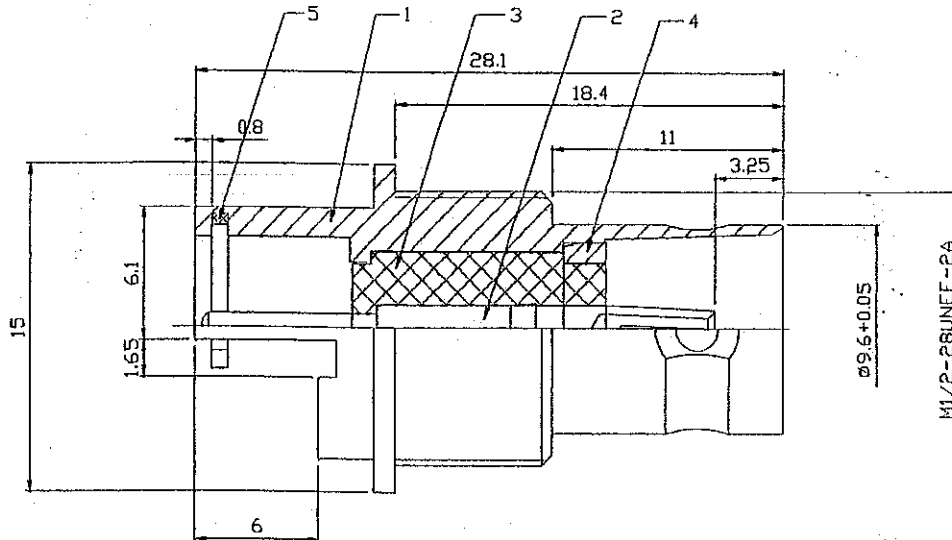
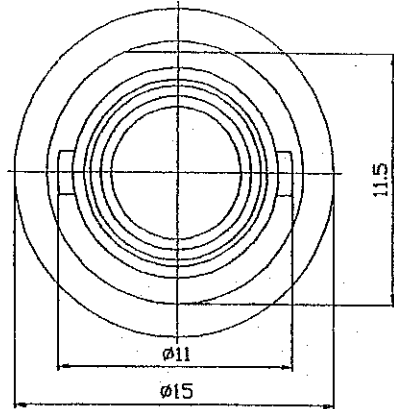
2

1

DWG NO. BNC-31101-HM-75R

RoHS COMPLIANT

| REV | ECO NO. | DATE | BY | APP'D |
|-----|-------------------------------|---------|----|-------|
| A | REL TO PRODUCTION PER ECO 001 | 1/22/10 | KL | |



ELECTRICAL

Impedance: 75 Ohms
 Insulation resistance: 5000 MegOhms
 Contact resistance: 2 MilliOhms
 Dielectric withstanding voltage: 1500V
 Frequency range: 0~2G Hz

MATERIAL

- 1.Body: HP59-1 Nickel plated
 - 2.Contact: Hp59-1 with gold plated
 - 3.Insulator: Teflon
 - 4.Lock washer: HP59-1 Nickel plated
 - 5.Mounting washer: HP59-1 Nickel plated
- Durability: 500 Min.
 Operating temperature range: -40°C ~+155°C

| | |
|-----------|------|
| Tolerance | |
| .x | ±0.2 |
| .xx | ±0.1 |
| ang. | ±2° |

UNIT: mm

CONFIDENTIAL



© Copyright 2010 Regal Electronics, Inc. This drawing is the property of Regal Electronics and contains confidential information, trade secret information and/or know-how which is the property of Regal Electronics. By accepting this drawing, the recipient agrees not to provide, or otherwise make available, the drawing or any information or know-how embodied therein, to any third party without prior written authorization.

| | | | |
|-----------|-----|------|---------|
| DRAWN: | KIM | DATE | 1/22/10 |
| CHECKED: | | DATE | |
| ENGINEER: | | DATE | |
| APPROVED: | | DATE | |
| APPROVED: | | DATE | |
| APPROVED: | | DATE | |

| | | |
|----------------------------|------------------|-----|
| TITLE: | | |
| BNC CONNECTOR PCB MOUNT | | |
| SIZE | DRAWING NO. | REV |
| B | BNC-31101-HM-75R | A |
| SCALE: | SHEET 1 OF 1 | |
| NONE | | |

5

4

3

2

1

C-BNC-31101-HM-75R