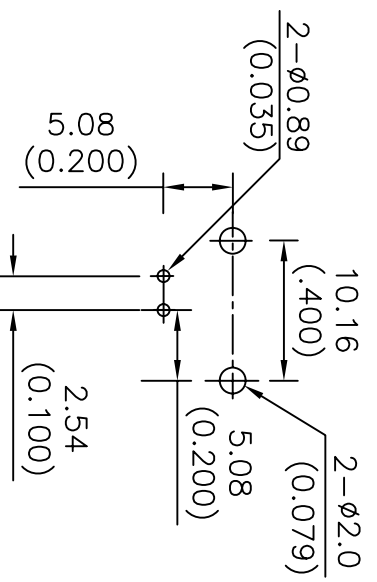
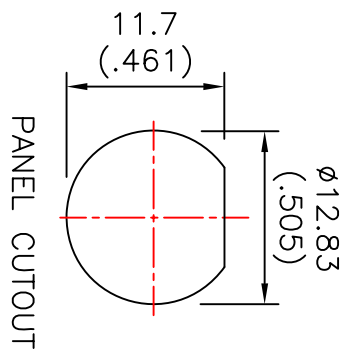
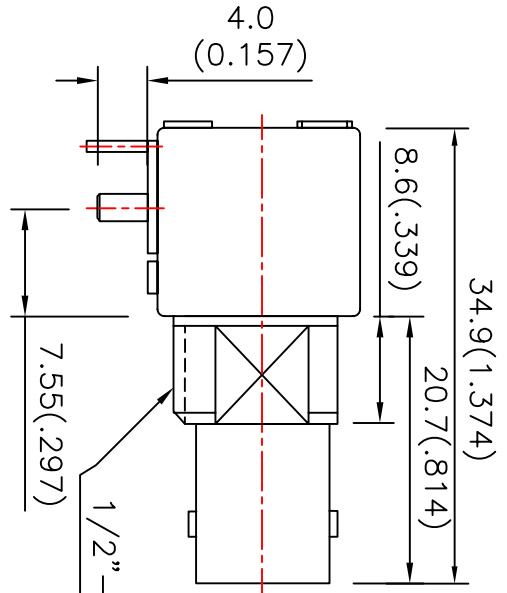
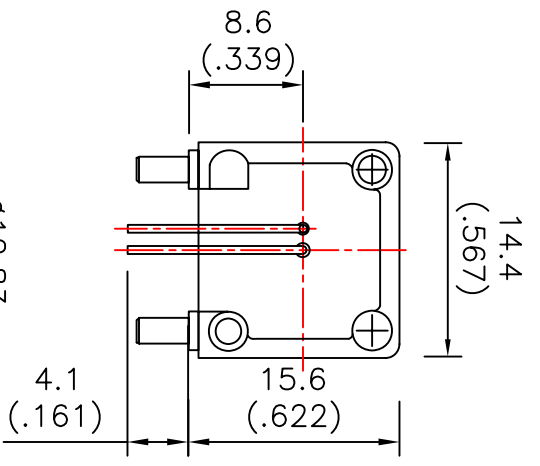


REV	ECO NO.	DATE	BY	APP'D
A	REL TO PRODUCTION PER ECO 001	8/9/05	KL	
B	Insulator material UL 94V-0 PER ECO 002	1/18/11	KL	



Tolerance
.x ±0.2
.xx ±0.1
ang. ±2°

UNIT: mm

RECOMMAND PCB LAYOUT

This device is RoHS compliant

SPECIFICATIONS:

1. MATERIALS:
INSULATOR: POLYPROPYLENE, UL 94V-0
CONN.BADY: NICKEL PLATING OVER ZING ALLOY
CENTER CONTACT: PHOSPHORUS BRONZE WITH GOLD PLATING ON
CONTACT AREA TIN PLATING ON TAIL.
2. MOUNTING POST: TIN PLATING OVER BRASS.
3. GROUNDING TERMINAL: TIN PLATING OVER COPPER.
4. FREQUENCY RANGE: 0-1.0 GHz PERFORMANCE
5. DURABILITY: 500 MATING CYCLE Min.
6. OPERATING VOLTAGE: 500 Vrms
7. CONTACT RESISTANCE: 3.0 Milliohms Max.
8. INSULATION RESISTANCE: 5000 Megohms Min. @500Vdc
9. WITHSTANDING VOLTAGE: 1500Vrms for 1Minute
10. OPERATING TEMP.: -65°C TO +165°C

CONFIDENTIAL

© Copyright 2011 Regal Electronics, Inc. This drawing is the property of Regal Electronics and contains confidential information, trade secret information and/or know-how which is the property of Regal Electronics. By accepting this drawing, the recipient agrees not to provide, or otherwise make available, the drawing or any information or know-how embodied therein, to any third party without prior written authorization.

DRAWN: KIM	DATE: 8/9/05	TITLE: MATEL BNC R/A PCB MOUNT 50 Ohms
CHECKED:	DATE:	SIZE: B
ENGINEER:	DATE:	DRAWING NO. BNC31201-HMV-50R
APPROVED:	DATE:	SCALE: NONE
APPROVED:	DATE:	SHEET 1 of 1

