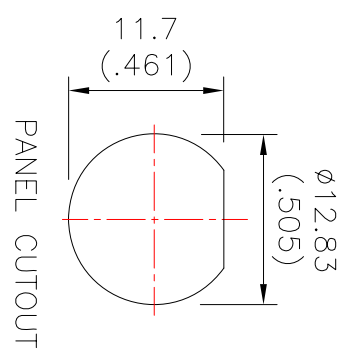
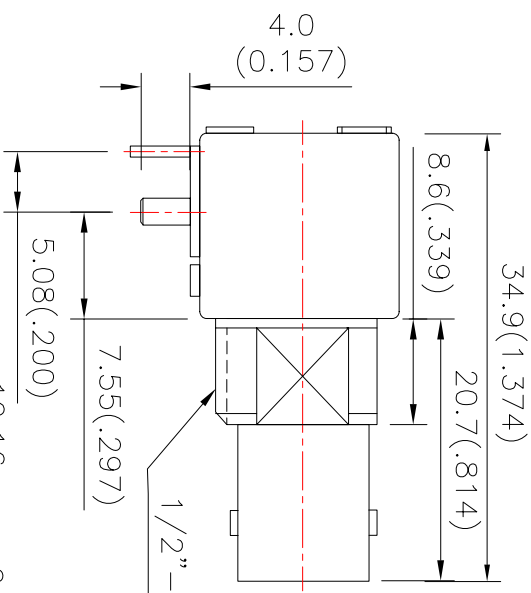
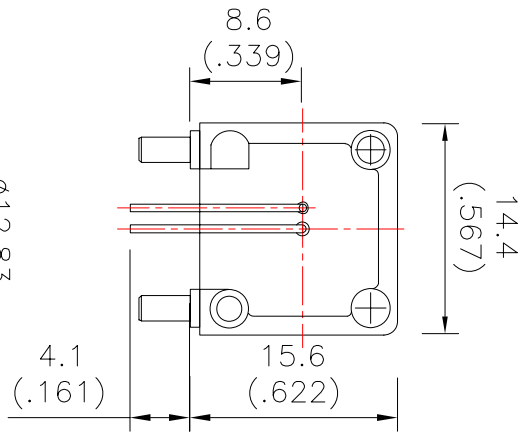


REV	ECO NO.	DATE	BY	APP'D
A	REL TO PRODUCTION PER ECO 001	8/9/05	KL	
B	Insulator material UL 94V-0 PER ECO 002	1/18/11	KL	

DWG NO. BNC31201-HMV-75R



PCB LAYOUT
TOP VIEW

This device is RoHS compliant

SPECIFICATIONS:

1. MATERIALS:
INSULATOR: POLYPROPYLENE, UL 94V-0
CONN.BADY: NICKEL PLATING OVER ZINC ALLOY
CENTER CONTACT: PHOSPHORUS BRONZE WITH GOLD PLATING ON CONTACT AREA, TIN PLATING ON TAILS.
2. MOUNTING POST: TIN PLATING OVER BRASS.
3. GROUNDING TERMINAL: TIN PLATING OVER COPPER.
4. FREQUENCY RANGE: 0-1.0 GHz PERFORMANCE
5. DURABILITY: 500 MATING CYCLES Min.
6. OPERATING VOLTAGE: 500 V_{RMS}
7. CONTACT RESISTANCE: 3.0 MilliOhms Max.
8. INSULATION RESISTANCE: 5000 MegOhms Min. @500Vdc
9. WITHSTANDING VOLTAGE: 1500V_{RMS} for 1Minute
10. OPERATING TEMP.: -65°C TO +165°C

CONFIDENTIAL

© Copyright 2011 Regal Electronics, Inc. This drawing is the property of Regal Electronics and contains confidential information, trade secret information and/or know-how which is the property of Regal Electronics. By accepting this drawing, the recipient agrees not to provide, or otherwise make available, the drawing or any information or know-how embodied therein, to any third party without prior written authorization.

REGAL ELECTRONICS INC.

TITLE: METAL BNC R/A PCB MOUNT 75 Ohms

SIZE: B DRAWING NO. BNC31201-HMV-75R

DRAWN:	KIM	DATE	8/9/05
CHECKED:		DATE	
ENGINEER:		DATE	
APPROVED:		DATE	
APPROVED:		DATE	
APPROVED:		DATE	

Tolerance	±0.2
.x	±0.1
.xx	±0.1
ang.	±2°

UNIT: mm