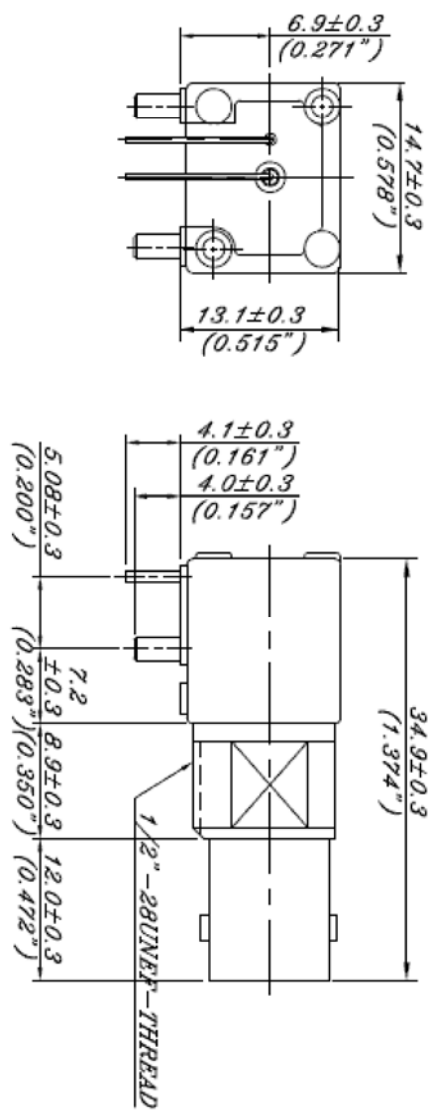
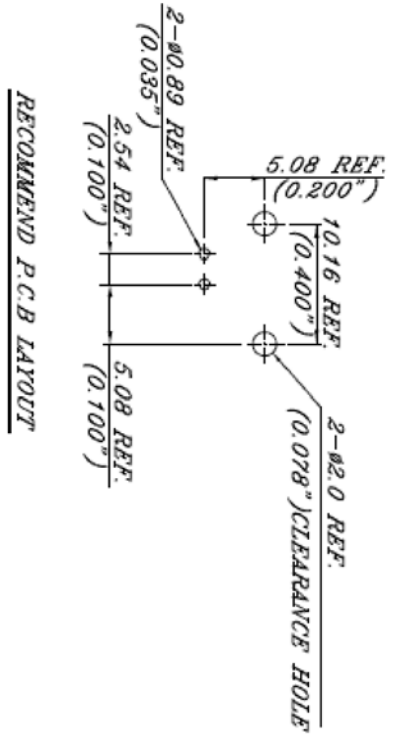


ROHS COMPLIANT

REV	ECO NO.	DATE	BY	APP'D
A	REL TO PRODUCTION PER ECO 001	2/14/14	KL	



DESC.	MATERIAL & TREATMENT
CONN. BODY	ZINC ALLOY WITH NICKEL PLATING
CENTER CONTACT	PHOSPHORUS BRONZE WITH GOLD PLATING AT CONTACT AREA, TIN PLATING AT TAIL & NICKEL PLATING OVERALL.
INSULATOR	POLYPROPYLENE UL 94-V0
GROUNDING TERMINAL	COPPER PLATED STEEL WITH TIN PLATING.
MOUNTING POST	BRASS WITH TIN PLATING



UNIT: mm(inches)

CONFIDENTIAL



© Copyright 2014 Regal Electronics, Inc. This drawing is the property of Regal Electronics and contains confidential information, trade secret information and/or know-how which is the property of Regal Electronics. By accepting this drawing, the recipient agrees to provide, or otherwise make available, the drawing or any information or know-how embodied therein, to any third party without prior written authorization.

SPECIFICATIONS:
MECHANICAL CHARACTERISTICS:
 MATING/UNMATING--500 CYCLES

ELECTRICAL CHARACTERISTICS:
 NORMAL IMPEDANCE-- 75 OHMS
 FREQUENCY RANGE-- 0-1 GHz
 OPERATING VOLTAGE-- 500 VOLTS RMS
 CONTACT RESISTANCE-- 3.0 MEGOHMS MAX.(GOLD)
 DIELECTRIC WITHSTANDING VOLTAGE--1500 VOLTS RMS.
 INSULATION RESISTANCE-- 5000 MEGOHMS MIN.
ENVIRONMENTAL CHARACTERISTICS:
 TEMPERATURE RANGE-- -55°C TO 165°C

DRAWN: KIM	DATE: 2/14/14	TITLE: LOW PROFILE R/A PCB MOUNT BNC CONNECTOR
CHECKED:	DATE:	
ENGINEER:	DATE:	
APPROVED:	DATE:	
APPROVED:	DATE:	
APPROVED:	DATE:	
SCALE: NONE	DRAWING NO. BNC31201-LMW-75R	REV A
SHEET 1	OF 1	

C-BNC31201-LMW-75R