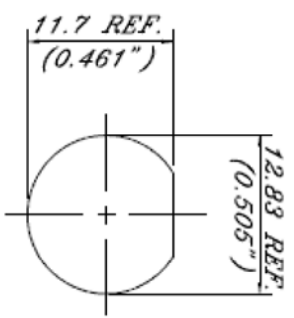
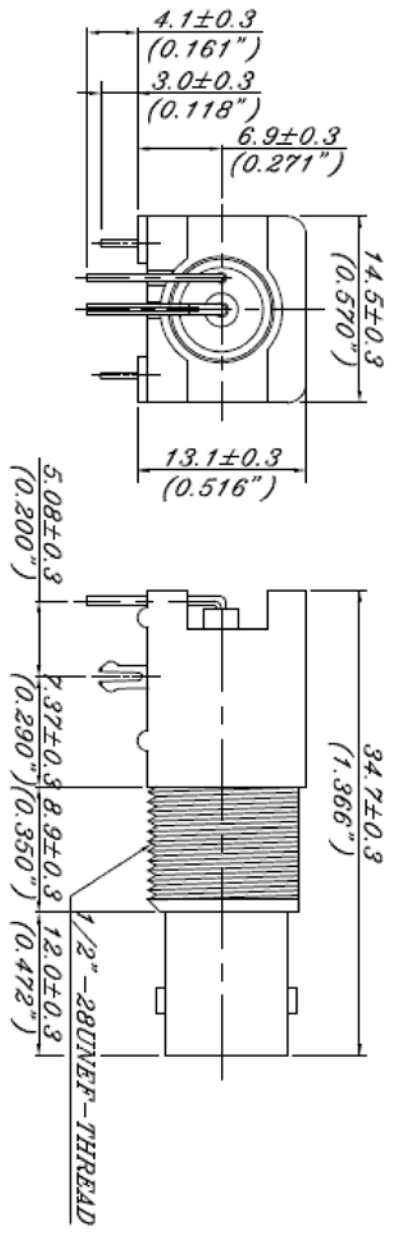
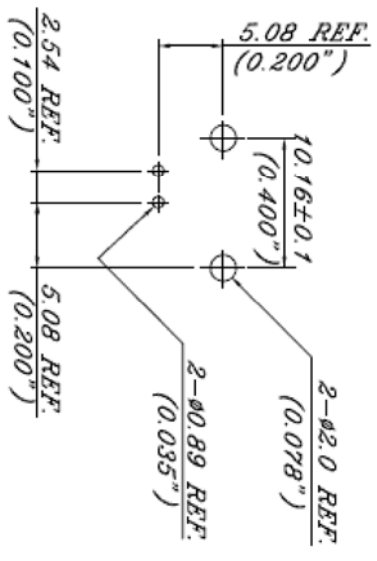


ROHS COMPLIANT

REV	ECO NO.	DATE	BY	APP'D
A	REL TO PRODUCTION PER ECO 001	2/14/14	KL	



MATERIAL & TREATMENT
NICKEL PLATING OVER ZINC ALLOY.
PHOSPHORUS BRONZE WITH GOLD PLATING AT CONTACT AREA
TIN PLATING AT TAIL, NICKEL PLATING OVERALL.
POLYPROPYLENE UL 94-V0
PBT+15%G.F. UL 94-V0
TIN PLATING OVER BRASS.
COPPER PLATED STEEL WITH TIN PLATING



UNIT: mm(inches)

C-BNC31201-LW-50R

SPECIFICATIONS:

MECHANICAL CHARACTERISTICS:
MATING/UNMATING--500 CYCLES

ELECTRICAL CHARACTERISTICS:
NORMAL IMPEDANCE-- 50 OHMS
FREQUENCY RANGE-- 0-1 GHz
OPERATING VOLTAGE-- 500 VOLTS RMS
CONTACT RESISTANCE-- 3.0 MILLIOHMS MAX (GOLD)
DIELECTRIC WITHSTANDING VOLTAGE-- 1500 VOLTS RMS
INSULATION RESISTANCE-- 5000 MEGOHMS MIN.

ENVIRONMENTAL CHARACTERISTICS:
TEMPERATURE RANGE-- -65°C TO 165°C

CONFIDENTIAL

© Copyright 2014 Regal Electronics, Inc. This drawing is the property of Regal Electronics and contains confidential information, trade secret information and/or know-how which is the property of Regal Electronics. By accepting this drawing, the recipient agrees not to provide, or otherwise make available, the drawing or any information or know-how embodied therein, to any third party without prior written authorization.

REGAL ELECTRONICS INC.

LOW PROFILE R/A PCB MOUNT BNC CONNECTOR

DRAWN: KIM	DATE: 2/14/14	TITLE:	LOW PROFILE R/A PCB MOUNT BNC CONNECTOR
CHECKED:	DATE:	SIZE:	B
ENGINEER:	DATE:	DRAWING NO.:	BNC31201-LW-50R
APPROVED:	DATE:	SCALE:	NONE
APPROVED:	DATE:	SHEET:	1 OF 1

A B C D

5 4 3 2 1