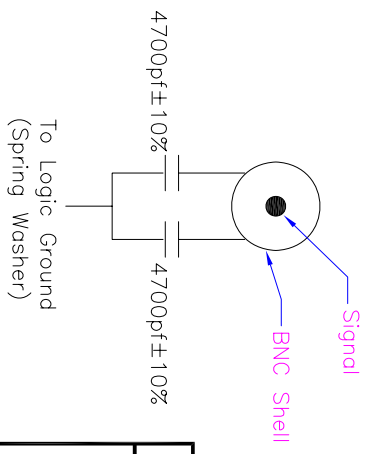
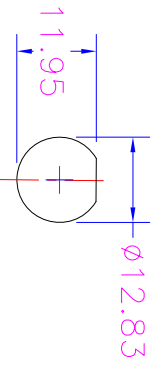
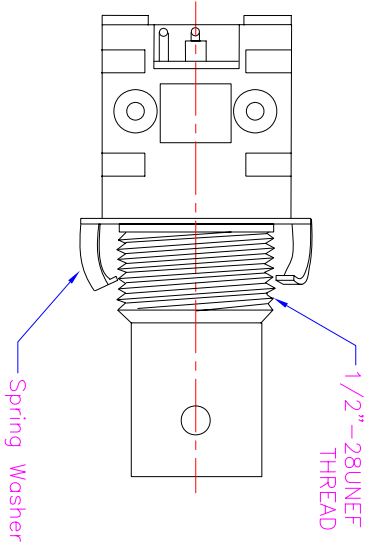
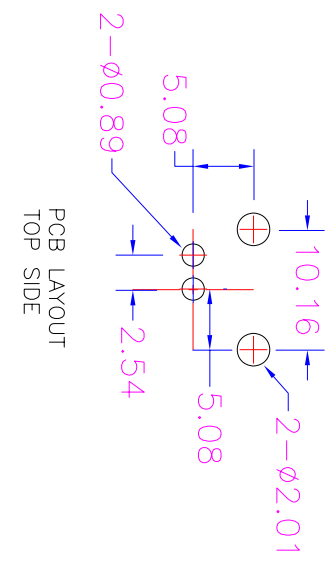
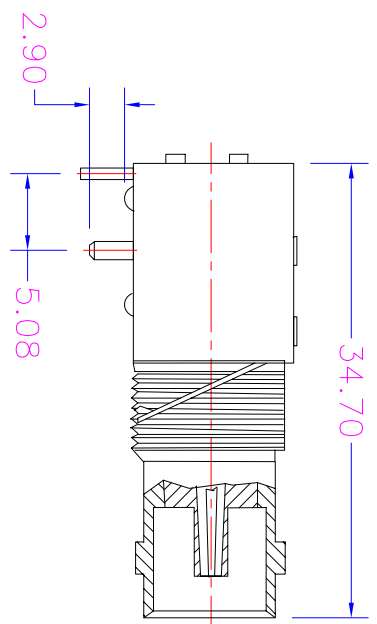
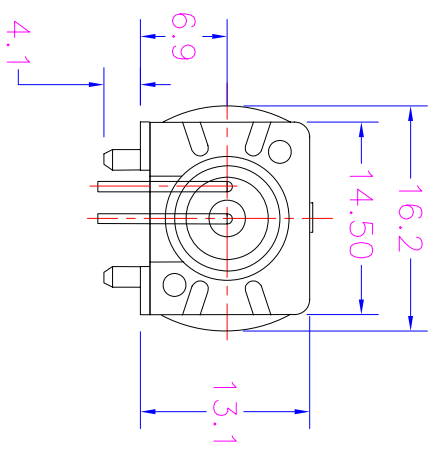


RoHS COMPLIANT



REV	ECO NO.	DATE	BY	APP'D
A	REL TO PRODUCTION PER ECO 001	9/07/06	KL	
B	Insulator material UL 94V-0 PER ECO 002	7/24/12	KL	

SPECIFICATIONS
MECHANICAL:
 CONNECTOR SHELL: NICKEL PLATING OVER ZINC ALLOY
 CENTER CONTACT: GOLD PLATING OVER PHOSPHOR BRONZE AT CONTACT AREA
 INNER INSULATOR: POLYPROPYLENE UL 94V-0
 HOUSING: PBT+30%GLASS FIBER (UL 94V-0)
 MOUNTING POST: TIN PLATING OVER BRASS
 GROUNDING TERMINAL: TIN PLATING OVER COPPER WIRE
 RETAINION POST: NICKEL PLATING OVER BRASS
 SPRING WASHER: NICKEL PLATING OVER BRASS
 CERAMIC CHIP CAPACITOR: 4700PICO FARAD±10% ELECTRICAL:
 NORMAL IMPEDANCE: 75 OHMS
 FREQUENCY RANGE: 0~1GHz
 RETURN LOSS: -30dB Min/750MHz
 OPERATING VOLTAGE: 500V_{RMS}
 DIELECTRIC WITHSTANDING VOLTAGE: 500 V_{DC}
 INSULATION RESISTANCE: 5000 MegOHMS Min.
 TEMPERATURE RANGE: -65°C - +165°C

Tol.: ±0.4mm UNIT: mm

CONFIDENTIAL



© Copyright 2012 Regal Electronics, Inc. This drawing is the property of Regal Electronics and contains confidential information, trade secret information and/or know-how which is the property of Regal Electronics. By accepting this drawing, the recipient agrees not to provide, or otherwise make available, the drawing or any information or know-how embodied therein, to any third party without prior written authorization.

DRAWN: KIM	DATE: 9/07/06	TITLE: RIGHT ANGLE PCB MOUNT BNC CONNECTOR with CAPACITOR
CHECKED:	DATE:	
ENGINEER:	DATE:	
APPROVED:	DATE:	
APPROVED:	DATE:	
APPROVED:	DATE:	
SCALE: NONE	DRAWING NO: BNC31201FHBV75R	REV: B
SHEET 1 OF 1		