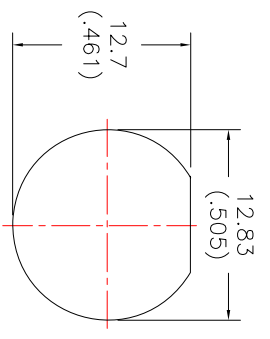
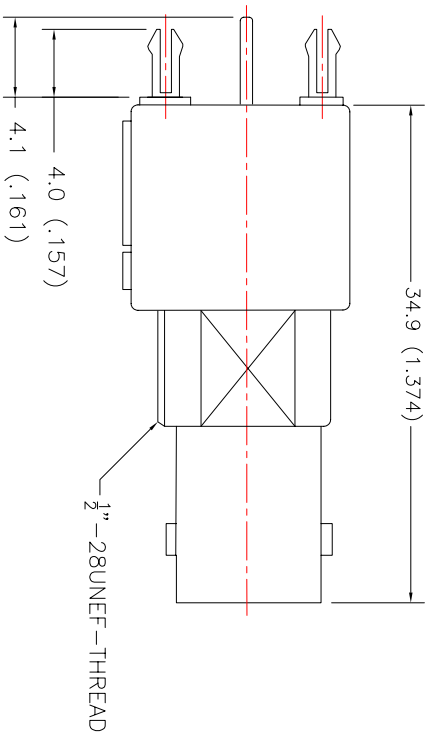
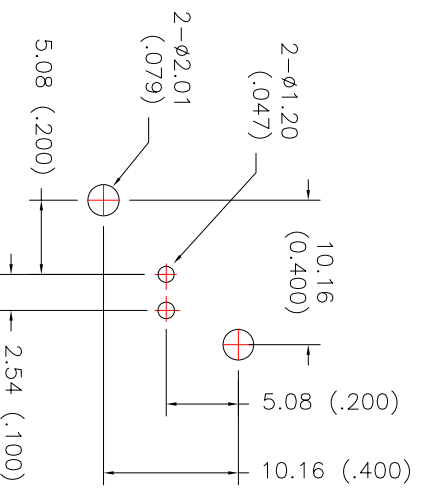
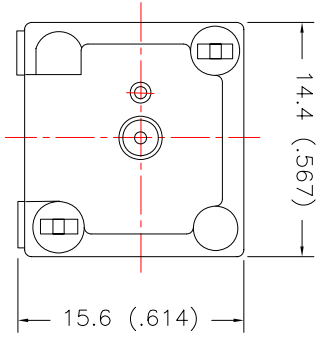


ROHS COMPLIANT

REV	ECO NO.	DATE	BY	APP'D
A	REL TO PRODUCTION PER ECO 001	4/12/11	KL	

DWG NO. BNCV31201-HMV-50R



PCB LAYOUT

PANEL CUTOUT

Tolerance ±0.3
unit: mm

UNIT: mm (inches)



CONFIDENTIAL

© Copyright 2011 Regal Electronics, Inc. This drawing is the property of Regal Electronics and contains confidential information, trade secret information and/or know-how which is the property of Regal Electronics. By accepting this drawing, the recipient agrees not to provide, or otherwise make available, the drawing or any information or know-how embodied therein, to any third party without prior written authorization.

DRAWN: KIM	DATE: 4/12/11	TITLE: VERTICAL PCB MOUNT BNC CONNECTOR
CHECKED:	DATE:	SIZE: B
ENGINEER:	DATE:	DRAWING NO.: BNCV31201-HMV-50R
APPROVED:	DATE:	SCALE: NONE
APPROVED:	DATE:	SHEET 1 OF 1
APPROVED:	DATE:	REV A

- SPECIFICATIONS:
1. MATERIALS:
INSULATOR: POLYPROPYLENE, UL-94V0
CONN.BODY: NICKEL PLATING OVER ZINC ALLOY
CENTER CONTACT: PHOSPHOR BRONZE WITH GOLD PLATING AT CONTACT AREA, TIN PLATING ON TAIL.
MOUNTING HOOK: TIN PLATING OVER COPPER WIRE.
GROUNDING TERMINAL: TIN PLATING OVER COPPER WIRE.
 2. FREQUENCY RANGE: 0-1.0 GHz
 3. DURABILITY: 500 MATING CYCLES Min.
 4. OPERATING VOLTAGE: 500 Vrms
 5. CONTACT RESISTANCE: 3.0 MilliOhms Max.
 6. INSULATION RESISTANCE: 5000 MegOhms Min. @500Vdc
 7. IMPEDANCE : 50 Ohms
 8. WITHSTANDING VOLTAGE: 1500Vrms for 1Minute
 9. OPERATING TEMP.: -55°C TO +165°C

A B C D 5 4 3 2 1

A B C D 5 4 3 2 1