

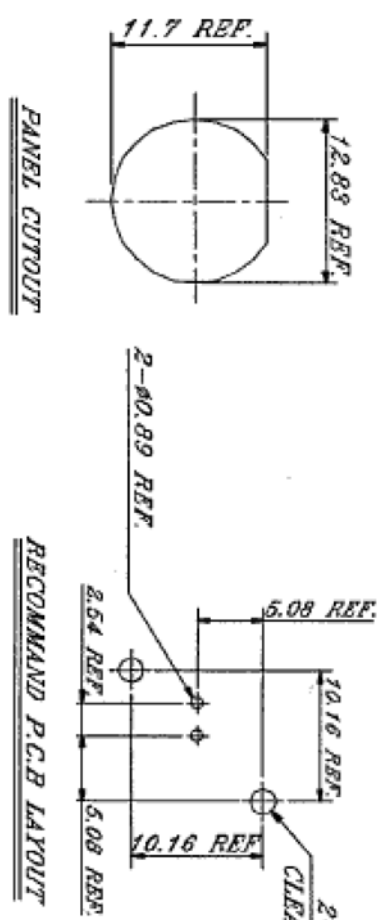
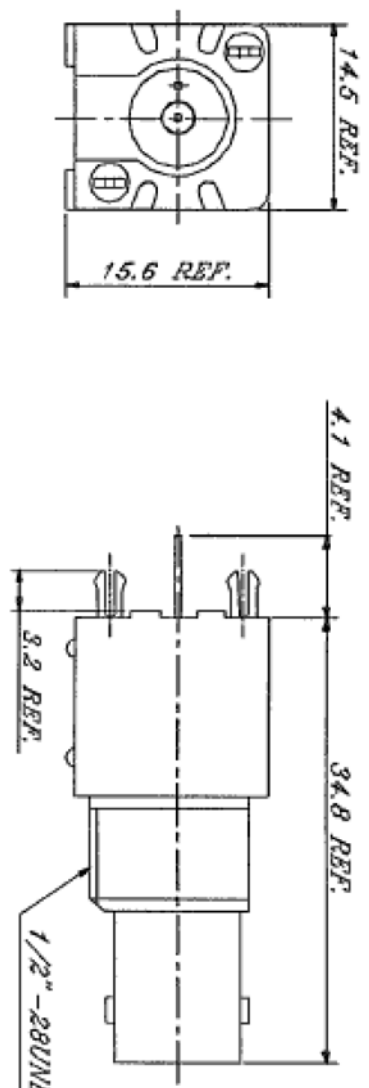
REV	ECO NO.	DATE	BY	APP'D
A	REL TO PRODUCTION PER ECO 001	7/31/07	KL	

DWG NO. BNCV31201-HWV-50R

SPECIFICATIONS:

MECHANICAL CHARACTERISTICS:
 MATING/UNMATING--500 CYCLES

ELECTRICAL CHARACTERISTICS:
 NORMAL IMPEDANCE-- 50 OHMS
 FREQUENCY RANGE-- 0-1 GHz
 OPERATING VOLTAGE-- 500 VOLTS RMS
 CONTACT RESISTANCE-- 3.0 MILLIOHMS MAX.(GOLD)
 DIELECTRIC WITHSTANDING VOLTAGE-- 1500 VOLTS RMS
 INSULATION RESISTANCE-- 5000 MEGOHMS MIN.
 TEMPERATURE RANGE-- -65°C TO 165°C



ITEM	DESCRIPTION	MATERIAL & TREATMENT
1	CONN. BODY	NICKEL PLATING OVER ZINC ALLOY
2	CENTER CONTACT	PHOSPHOROUS BRONZE WITH GOLD PLATING AT CONTACT AREA TIN PLATING AT TAIL
3	INSULATOR	POLYPROPYLENE UL 94 V-0
4	HOUSING	PBT+30%GLASS FIBER (UL 94 V-0)
5	MOUNTING POST	TIN PLATING OVER BRASS
6	GROOVING TERMINAL	TIN PLATING OVER STRIP COPPER

UNIT: mm

CONFIDENTIAL



TITLE:
 BNC Vertical PCB
 Mount Connector

© Copyright 2007 Regal Electronics, Inc.
 This drawing is the property of Regal Electronics and contains confidential information, trade secret information and/or know-how which is the property of Regal Electronics. By accepting this drawing, the recipient agrees not to provide, or otherwise make available, the drawing or any information or know-how embodied therein, to any third party without prior written authorization.

DRAWN:	KIM	DATE:	7/31/07
CHECKED:		DATE:	
ENGINEER:		DATE:	
APPROVED:		DATE:	
APPROVED:		DATE:	
APPROVED:		DATE:	

SCALE:	NONE
SIZE:	B
DRAWING NO.:	BNCV31201-HWV-50R
REV:	A

5 4 3 2 1

A B C D