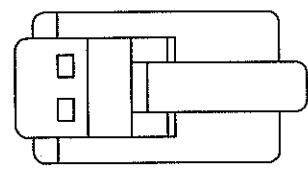
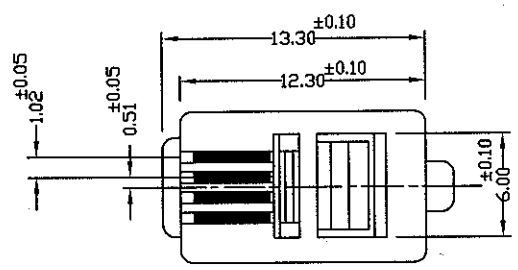
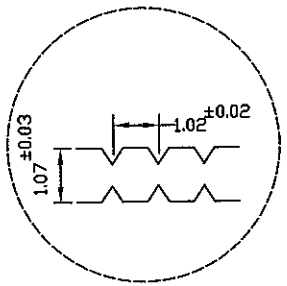
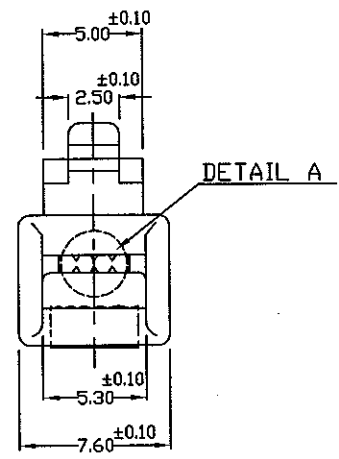
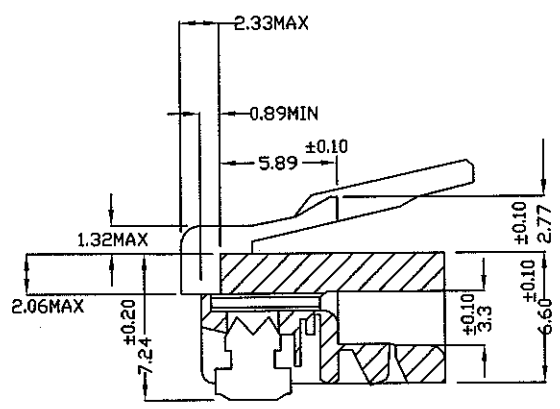
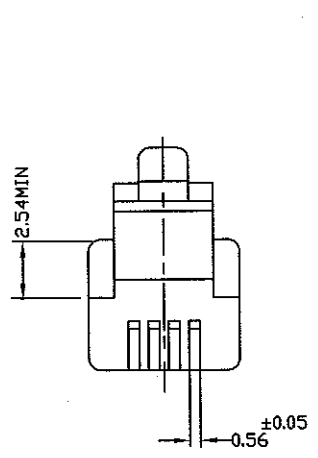


REV	ECO NO.	DATE	BY	APP'D
A	REL TO PRODUCTION PER ECO 001	7/31/07	KL	

RoHS COMPLIANT



Tolerance	
.x	±0.2
.xx	±0.1
ang.	±2°

UNIT: mm

CONFIDENTIAL



© Copyright 2007 Regal Electronics, Inc. This drawing is the property of Regal Electronics and contains confidential information, trade secret information and/or know-how which is the property of Regal Electronics. By accepting this drawing, the recipient agrees not to provide, or otherwise make available, the drawing or any information or know-how embodied therein, to any third party without prior written authorization.

DRAWN: KIM	DATE: 7/31/07
CHECKED:	DATE:
ENGINEER:	DATE:
APPROVED:	DATE:
APPROVED:	DATE:
APPROVED:	DATE:

TITLE: Modular Plug		
SIZE: B	DRAWING NO.: R1001-4P4C	REV: A
SCALE: NONE	SHEET 1 OF 1	

CONFIDENTIAL