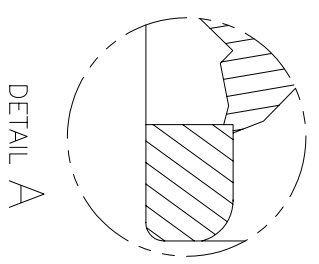
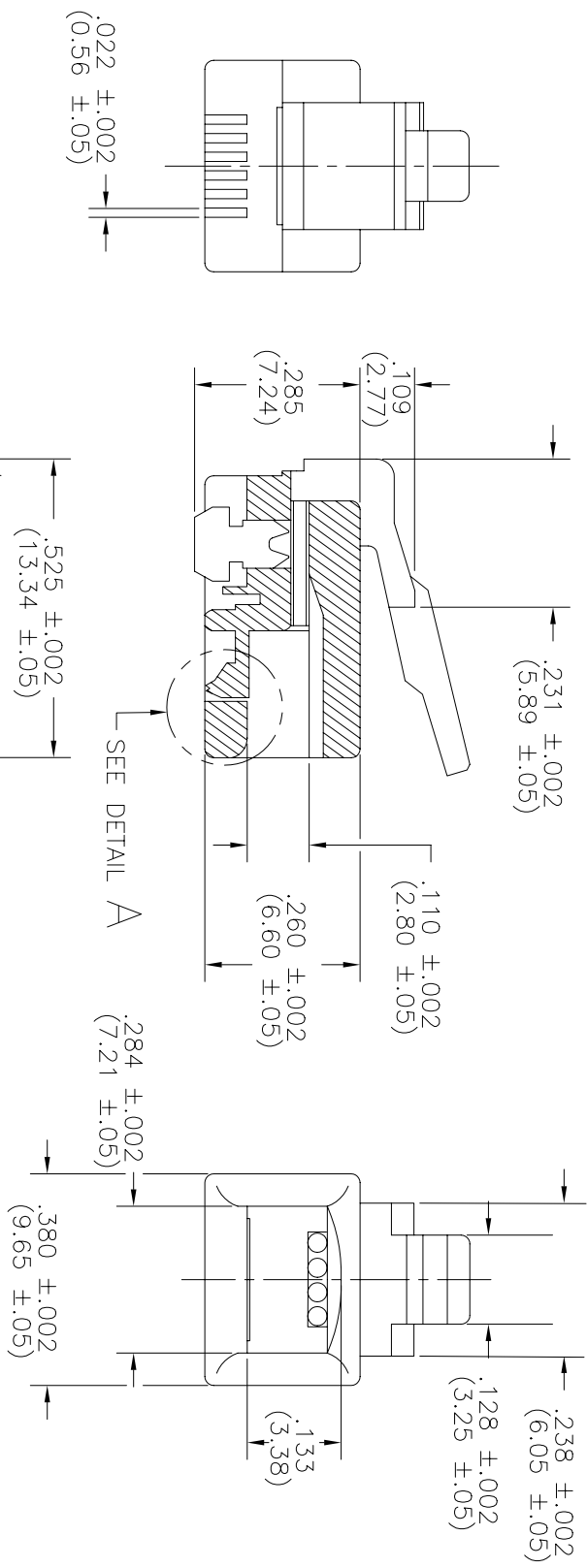


RoHS COMPLIANT

REV	ECO NO.	DATE	BY	APP'D
A	REL TO PRODUCTION PER ECO 001	3/14/07	KL	



Tolerance	
.x	±0.2
.xx	±0.1
ang.	±2°

UNIT: inches(mm)

CONFIDENTIAL



MODULAR PLUG

© Copyright 2007 Regal Electronics, Inc.

This drawing is the property of Regal Electronics and contains confidential information, trade secret information and/or know-how which is the property of Regal Electronics. By accepting this drawing, the recipient agrees not to provide, or otherwise make available, the drawing or any information or know-how embodied therein, to any third party without prior written authorization.

- MATERIALS:**
- HOUSING: POLYCARBONATE, UL 94V-2
 - TERMINAL: 0.014" PHOSPHOR BRONZE PLATED WITH GOLD FLASH
 - ELECTRICAL:
 - CONTACT CURRENT RATING: 1.5 A.
 - DIELECTRIC VOLTAGE: AC 1000V
 - INSULATION RESISTANCE: 500 MEGOHMS MIN.

DRAWN:	KIM	DATE:	3/14/07
CHECKED:		DATE:	
ENGINEER:		DATE:	
APPROVED:		DATE:	
APPROVED:		DATE:	
APPROVED:		DATE:	

TITLE:	MODULAR PLUG		
SIZE:	B	DRAWING NO.:	R1001-6P4C
SCALE:	NONE	REV:	A
SHEET:	1	OF:	1

5 4 3 2 1