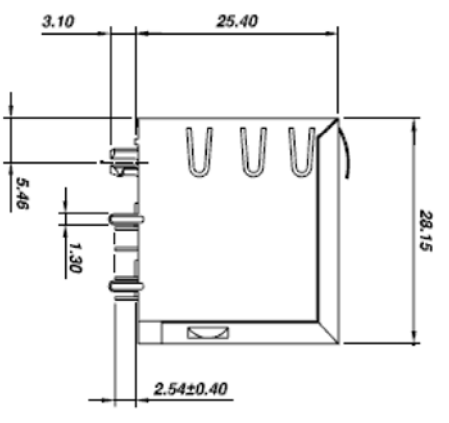
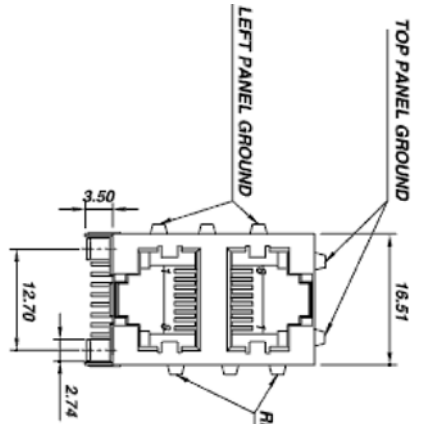


ROHS COMPLIANT

REV	ECO NO.	DATE	BY	APP'D
A	REL TO PRODUCTION PER ECO 001	12/13/16	KL	

DWG NO. R152STR-88-1



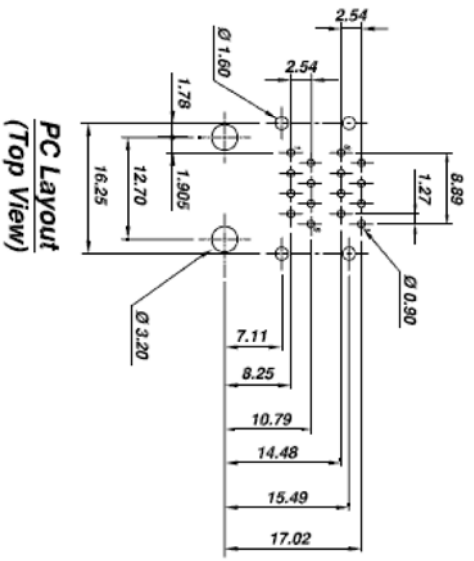
SPECIFICATION :

1. Electrical Char.

- Insulation Resistance : 500M-Ohm Min. 500V DC. for 1 minute.
- Contact Resistance : 30milli-Ohm Max.
- Rating Current : 1.5A Max.
- Rating Voltage : 150V AC.
- Dielectric Voltage : 1,000 Vrms at 1MA 60 Sec. Min.

2. Physical char.

- Housing (Option) : For Waving Soldering Process
- PBT Glass Filled (UL 94V-0), Soldering Temperature: 245 C for 5 Sec.
- Color : Black Color
- Spring Wire : 0.35mm Thickness Phosphor bronze 6w Gold Plating Over Nickel
- Shielded : Brass Plating Nickel
- Temperature Range : - 40°C / +85°C
- Durability : 750 Mating cycles Min.



Tolerance	±0.25
.xxx	±0.13
.xxx	±1°
ang.	±1°

UNIT: mm

CONFIDENTIAL



© Copyright 2016 Regal Electronics, Inc. This drawing is the property of Regal Electronics and contains confidential information, trade secret information and/or know-how which is the property of Regal Electronics. By accepting this drawing, the recipient agrees not to provide, or otherwise make available, the drawing or any information or know-how embodied therein, to any third party without prior written authorization.

DRAWN: KIM	DATE: 12/13/16	TITLE: DUAL RJ45 SIDE ENTRY JACK
CHECKED:	DATE:	
ENGINEER:	DATE:	
APPROVED:	DATE:	
APPROVED:	DATE:	
APPROVED:	DATE:	
SIZE: B	DRAWING NO. R152STR-88-1	REV: A
SCALE: NONE		
	SHEET 1 of 1	

5 4 3 2 1

5 4 3 2 1