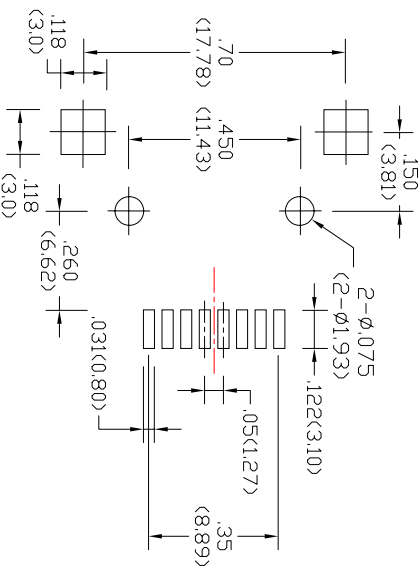
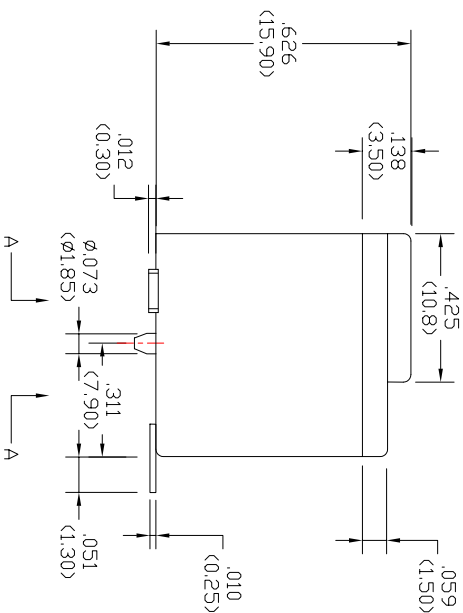
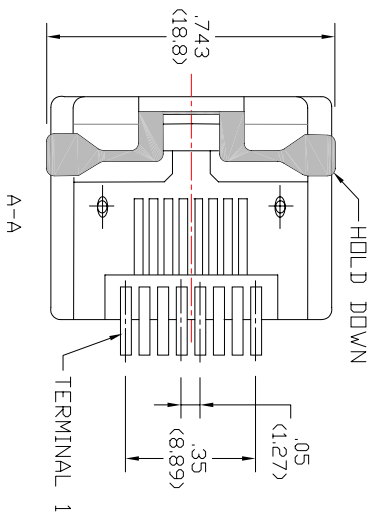
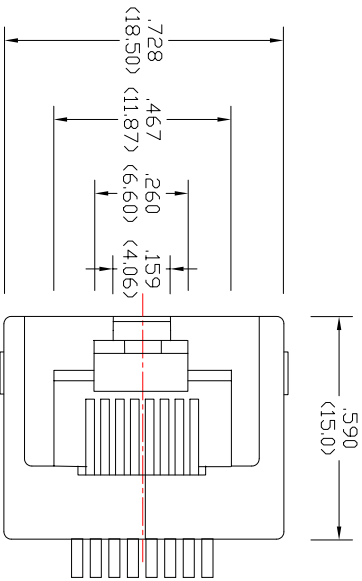


RoHS Compliant

REV	ECO NO.	DATE	BY	APP'D
A	REL TO PRODUCTION PER ECO 001	6/13/07	KL	
B	change some dim. PER ECO 002	9/27/07	KL	



PCB LAYOUT
TDP VIEW/ Tol.:±0.05mm

UNIT: inches (mm)
Tolerance: ±0.3mm

CONFIDENTIAL



Modular Jack Top
Entry Vertical
Surface Mount

- SPECIFICATION:**
- Electrical
 - Insulation Resistance: 500MegOhms Min.
 - Contact Resistance: 20MilliOhms Max.
 - Rating Current: 1.5A Max.
 - Rating Voltage: 120Vac
 - Dielectric Voltage: 1000 Vrms 60 Sec. Min.
 - Physical
 - Housing: Nylon UL94V-0
 - Color: Black
 - Spring: 0.35mm Thickness Phosphor Bronze, Gold Plating Over Nickel
 - Temperature Range: -40°C ~ +85°C
 - Durability: 500 Mating Cycles Min.

© Copyright 2007 Regal Electronics, Inc.
This drawing is the property of Regal Electronics and contains confidential information, trade secret information and/or know-how which is the property of Regal Electronics. By accepting this drawing, the recipient agrees not to provide, or otherwise make available, the drawing or any information or know-how embodied therein, to any third party without prior written authorization.

DATE	DATE	DATE	DATE	DATE	DATE	SCALE	DRAWING NO.	REV
6/13/07						NONE	R258-8-SMT	B