

5

4

3

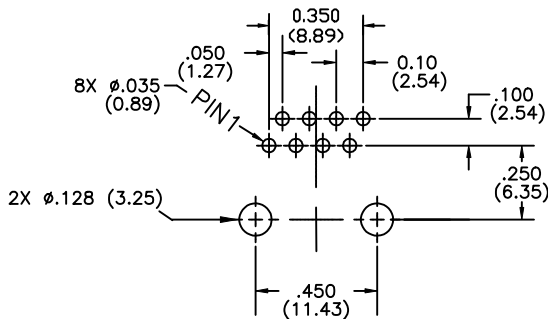
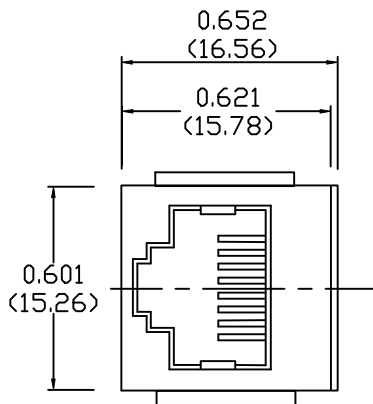
2

1

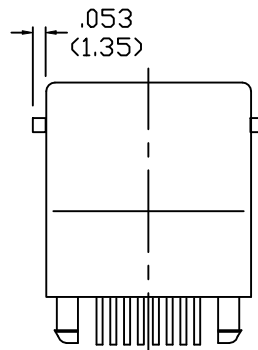
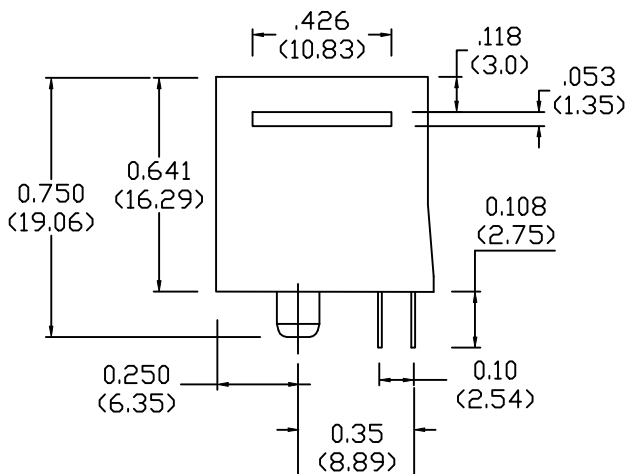
DWG NO. R258-8-C5

RoHS Compliant

REV	ECO NO.	DATE	BY	APP'D
A	REL TO PRODUCTION PER ECO 001	1/8/07	KL	



PC BOARD TOP VIEW



**Specification:**

**Features:**

- Gasket option offers an edge in world markets on compliance issues
- FCC part 68 sub part F complaint
- Gasket provides up to 5 dB EMC improvement over standard shielded versions.
- UL/CSA approved to category-5 specifications

**Electrical:**

- Dielectric withstanding voltage: 1000VAC
- Insulation resistance: 500 Megohms minimum
- Contact resistance: 15 milliohms maximum
- current rating: 1 Amp maximum

**Material:**

- Housing: UL94V-0/glass filled
- Contacts: Phosphor bronze  
Plating: 50µ gold over nickel
- Operating temperature: -55°C to +105°C

UNIT: inches (mm)

CONFIDENTIAL

© Copyright 2007 Regal Electronics, Inc. This drawing is the property of Regal Electronics and contains confidential information, trade secret information and/or know-how which is the property of Regal Electronics. By accepting this drawing, the recipient agrees not to provide, or otherwise make available, the drawing or any information or know-how embodied therein, to any third party without prior written authorization.



DRAWN: KIM	DATE: 1/8/07	TITLE: MODULAR JACK VERTICAL_MOUNT TOP_ENTRY_CAT-5		
CHECKED:	DATE:	SIZE: B	DRAWING NO.: R258-8-C5	REV: A
ENGINEER:	DATE:	SCALE: NONE	SHEET 1 OF 1	
APPROVED:	DATE:			
APPROVED:	DATE:			
APPROVED:	DATE:			

5

4

3

2

1

D

D

C

C

B

B

C-R258-8-C5

A

A