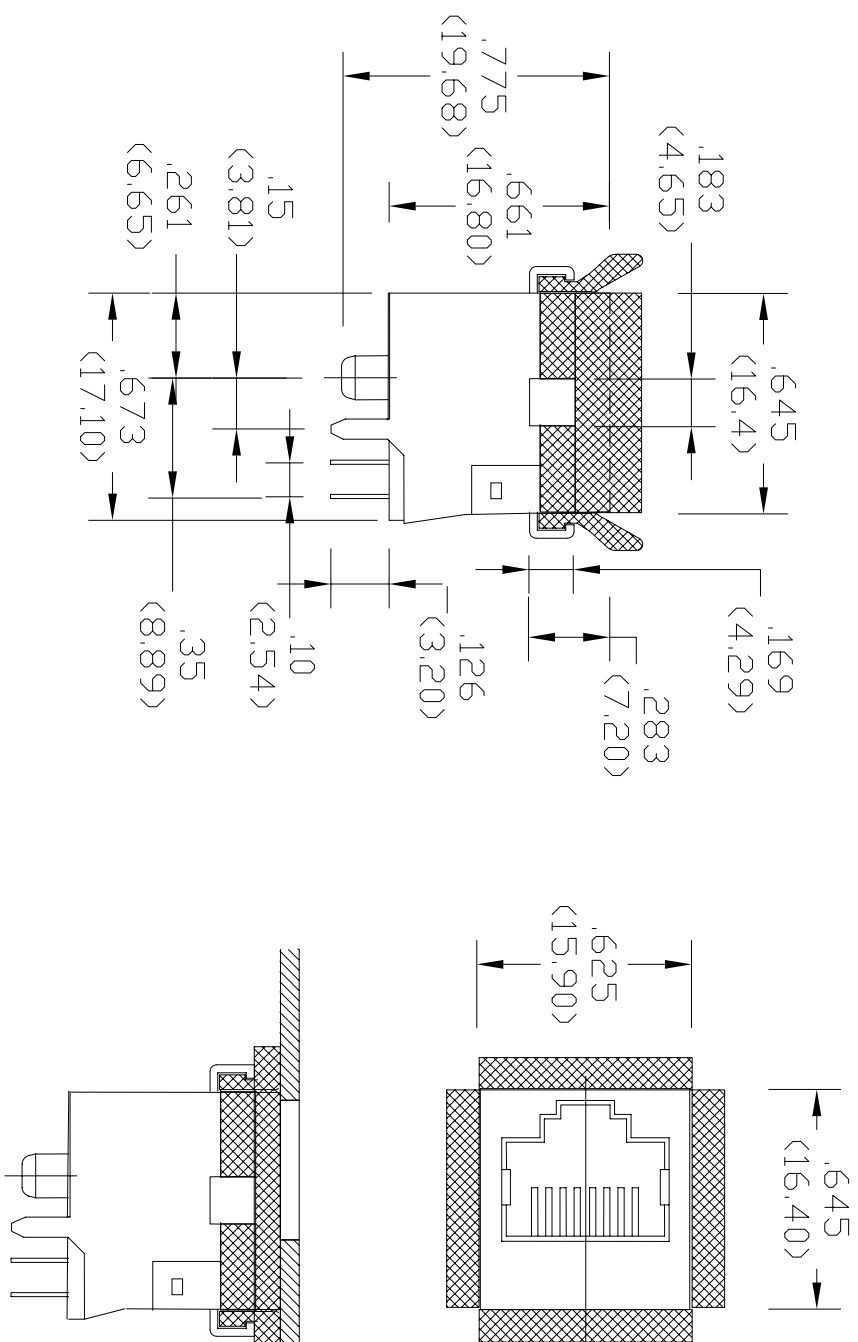


REV	ECO NO.	DATE	BY	APP'D
A	REL TO PRODUCTION PER ECO 001	10/31/07	KL	



CONFIDENTIAL



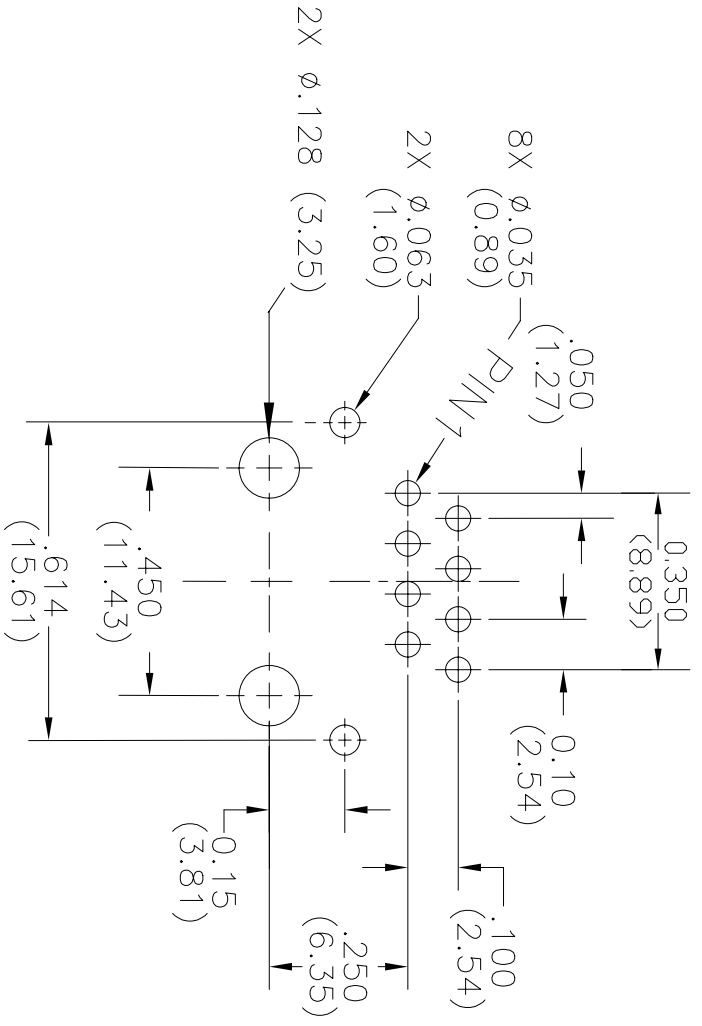
© Copyright 2007 Regal Electronics, Inc.  
 This drawing is the property of Regal Electronics and contains confidential information, trade secret information and/or know-how which is the property of Regal Electronics. By accepting this drawing, the recipient agrees not to provide, or otherwise make available, the drawing or any information or know-how embodied therein, to any third party without prior written authorization.

DRAWN:	KIM	DATE	10/31/07
CHECKED:		DATE	
ENGINEER:		DATE	
APPROVED:		DATE	
APPROVED:		DATE	
APPROVED:		DATE	
SCALE:	NONE	SHEET	1 of 2
TITLE:	MODULAR JACK VERTICAL MOUNT TOP ENTRY		
SIZE:	B	DRAWING NO.:	R258P3-8-C5
REV:	A		

RoHS Compliant

REV	ECO NO.	DATE	BY	APP'D
A	REL TO PRODUCTION PER ECO 001	10/31/07	KL	

DWG NO. R258P3-8-C5



PC BOARD TOP VIEW

CONFIDENTIAL



TITLE:  
MODULAR\_JACK  
VERTICAL\_MOUNT  
TOP\_ENTRY

© Copyright 2007 Regal Electronics, Inc. This drawing is the property of Regal Electronics and contains confidential information, trade secret information and/or know-how which is the property of Regal Electronics. By accepting this drawing, the recipient agrees not to provide, or otherwise make available, the drawing or any information or know-how embodied therein, to any third party without prior written authorization.

DRAWN:	KIM	DATE	10/31/07
CHECKED:		DATE	
ENGINEER:		DATE	
APPROVED:		DATE	
APPROVED:		DATE	
APPROVED:		DATE	

SCALE:	NONE	SHEET	2 OF 2
SIZE:	B	DRAWING NO.:	R258P3-8-C5
REV:	A		