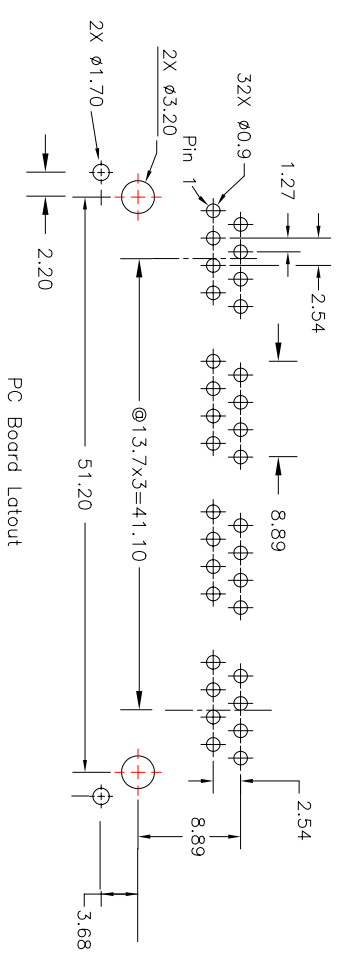
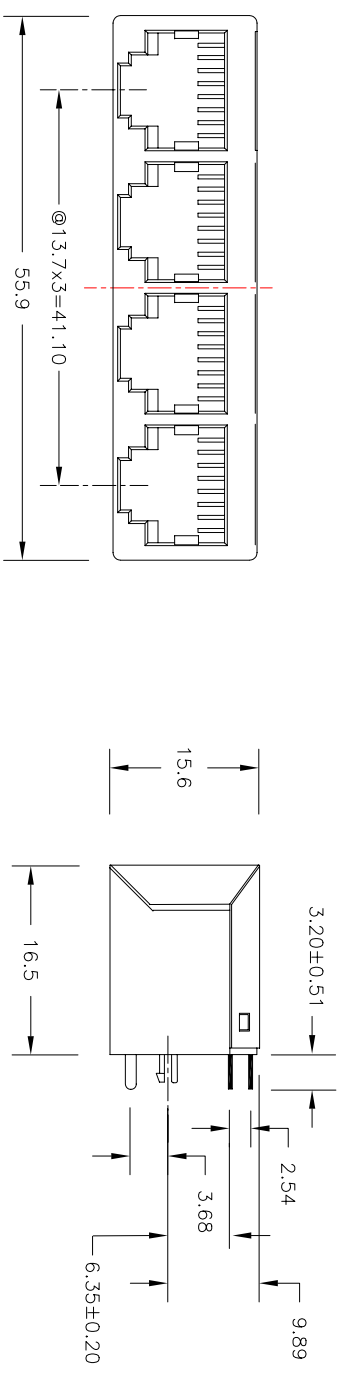


RoHS Compliant

REV	ECO NO.	DATE	BY	APP'D
A	REL TO PRODUCTION PER ECO 001	8/4/08	KL	



**Technical Data:**

- Housing: Standard Material
- Glass Filled Polyester UL94V-0
- Standard Colour: Black
- Contact: 0.35mm Thickness Phosphor bronze Alloy
- Selective Gold Plating over nickel over tin
- Shield: 0.25mm Brass tin plated

**CONFIDENTIAL**

© Copyright 2008 Regal Electronics, Inc. This drawing is the property of Regal Electronics and contains confidential information, trade secret information and/or know-how which is the property of Regal Electronics. By accepting this drawing, the recipient agrees not to provide, or otherwise make available, the drawing or any information or know-how embodied therein, to any third party without prior written authorization.

DRAWN: KIM	DATE: 8/4/08	TITLE: Vertical Mt. Top Entry Mod. Jack Shielded Category 3
CHECKED:	DATE:	SIZE: B
ENGINEER:	DATE:	DRAWING NO.: R258S-8-4
APPROVED:	DATE:	SCALE: NONE
APPROVED:	DATE:	SHEET 1 OF 1

UNIT: mm