

5

4

3

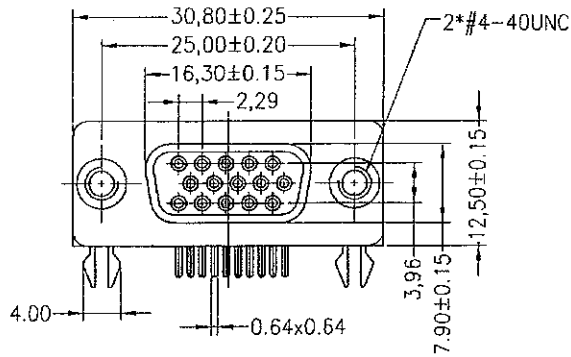
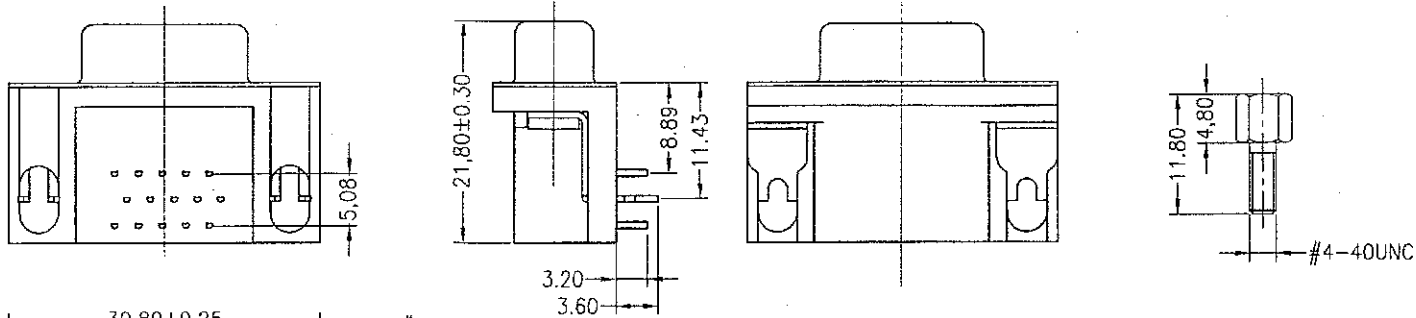
2

1

DWG NO. R4028-15H

REV	ECO NO.	DATE	BY	APP'D
A	REL TO PRODUCTION PER ECO 001	11/28/06	KL	

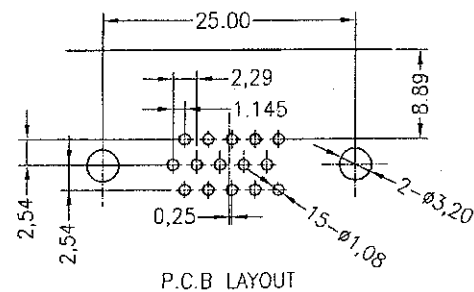
RoHS Compliant



Material  
 Insulator: PBT UL 94V0.  
 Contact: brass, gold/Tin plated.  
 Shell: SPCC-SD, Nickel plated.

Environmental  
 Operating temperature: -55°C ~ +105°C

Electrical  
 Contact current rating: 5Amp.  
 Dielectric withstanding volt: AC 1000V/min.R.M.S.  
 Insulation resistance: >5000M OHM min.at 500V DC.  
 Contact resistance: 25Milli OHM Max.



Tolerance: x.x 0.3  
 x.xx 0.2  
 UNIT: mm

<b>CONFIDENTIAL</b>		<b>REGAL</b> ELECTRONICS INC.	
© Copyright 2006 Regal Electronics, Inc. This drawing is the property of Regal Electronics and contains confidential information, trade secret information and/or know-how which is the property of Regal Electronics. By accepting this drawing, the recipient agrees not to provide, or otherwise make available, the drawing or any information or know-how embodied therein, to any third party without prior written authorization.		DRAWN: KIM CHECKED: DATE ENGINEER: DATE APPROVED: DATE APPROVED: DATE APPROVED: DATE	DATE: 11/28/06 DATE DATE DATE DATE
		TITLE: <b>D-SUB 15P CONNECTOR</b>	
		SIZE: B SCALE: NONE	DRAWING NO.: R4028-15H SHEET 1 OF 1
		REV: A	SHEET 1 OF 1

5

4

3

2

1

D  
C  
B  
A  
C-R4028-15H