

ROHS Compliant

REV	ECO NO.	DATE	BY	APP'D
A	REL TO PRODUCTION PER ECO 001	1/5/06	KL	
B	SPEC. CHANGED PER ECO 002	9/14/06	KL	

Product Specification

Material

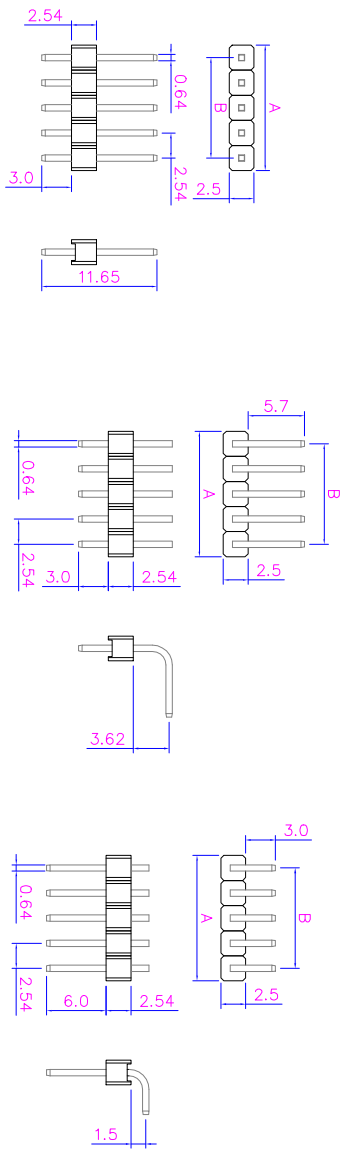
Insulator :Glass-Filled Thermoplastic
 UL94V-0, Color-Black
 Contact :Copper Alloy
 Plated full gold flash
 Operating temperature: 0°C - +85°C
 Storage temperature: -20°C - +70°C
 Electrical

Contact Resistance :20 milliohms
 Max at 1 AMP DC.

Insulation Resistance :1000 magohms at 500 VDC

Dielectric Withstanding Voltage :
 500 VAC/rms 60Hz for 1 minute

Current Rating :3 AMP
 Voltage Rating :250 VAC/rms 60Hz



R4070-SH

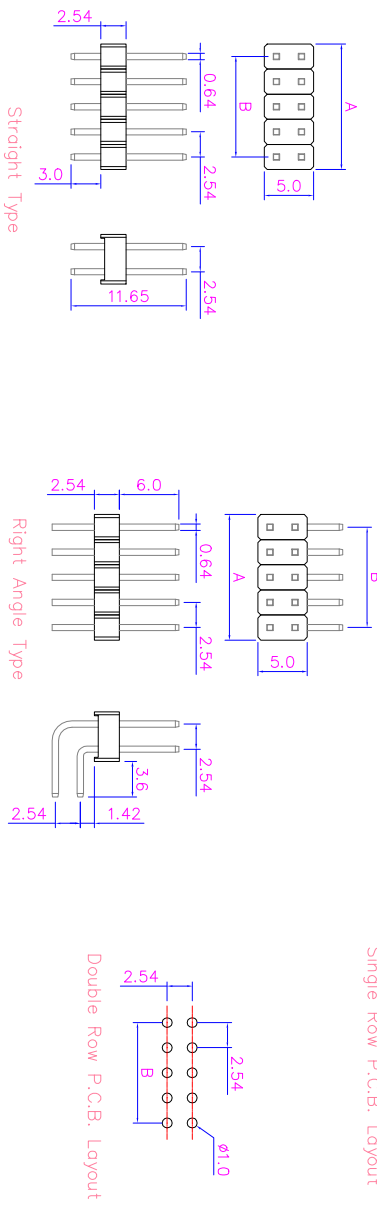
R4072A-SHR

R4072B-SHR

Single Row

Right Angle Type (A Type)

Right Angle Type (B Type)



R4071-DH

R4073-DHR

Double Row

Single Row P.C.B. Layout

Double Row P.C.B. Layout

Tolerance	±0.35
.x	±0.25
.xx	±0.25

UNIT: mm

Dimensions	
Positions	2 thru 40, 4 thru 80
A	2.54 * Position No.
B	2.54 * Position No. -2.54

CONFIDENTIAL

© Copyright 2006 Regal Electronics, Inc.
 This drawing is the property of Regal Electronics and contains confidential information, trade secret information and/or know-how which is the property of Regal Electronics. By accepting this drawing, the recipient agrees not to provide, or otherwise make available, the drawing or any information or know-how embodied therein, to any third party without prior written authorization.



Breakaway Pin Headers

DRAWN: KIM	DATE: 1/5/06	TITLE: Breakaway Pin Headers
CHECKED:	DATE:	
ENGINEER:	DATE:	
APPROVED:	DATE:	
APPROVED:	DATE:	
APPROVED:	DATE:	
SCALE: NONE	SIZE: B	DRAWING NO.: R4070-R4073
		REV: B
	SHEET: 1	OF: 1