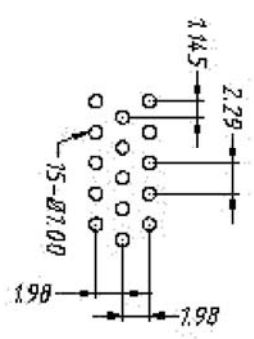
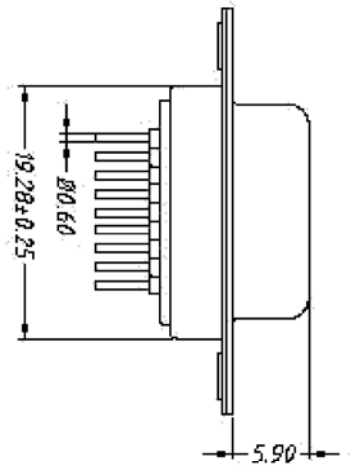
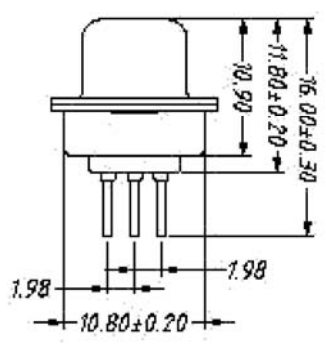
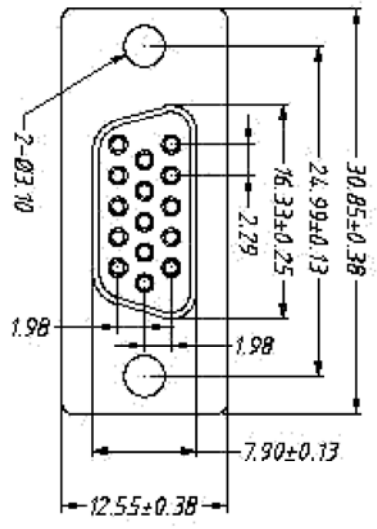


ROHS COMPLIANT

REV	ECO NO.	DATE	BY	APP'D
A	REL TO PRODUCTION PER ECO 001	7/06/12	KL	



PCB LAYOUT

Tolerance	±0.25
.xxx	±0.13
ang.	±1°

UNIT: mm

SPECIFICATIONS:
ELECTRICAL SPECIFICATION
 Contact Current Rating: 3 Amperes
 Dielectric Withstanding Voltage: AC 1000V/0.05s.r.m.s.
 Insulation Resistance: 5000 Megohms MINIMUM at DC 500V
 Contact Resistance: 25 Milliohms Maximum
 Operating Temperature: -55°C to +105°C
MECHANICAL CHARACTERISTICS:
 Contact Insertion Force: 300g/Max
 Contact Separation Force: 25 gf Min
MATERIALS:
 Contacts: Brass
 Insulator: PBT+30%(UL94V-0)
 Shell: Steel

CONFIDENTIAL



D-Subminiature Solder Cup High Density

© Copyright 2012 Regal Electronics, Inc. This drawing is the property of Regal Electronics and contains confidential information, trade secret information and/or know-how which is the property of Regal Electronics. By accepting this drawing, the recipient agrees not to provide, or otherwise make available, the drawing or any information or know-how embodied therein, to any third party without prior written authorization.

DRAWN: KIM	DATE: 7/06/12	TITLE: D-Subminiature Solder Cup High Density
CHECKED:	DATE:	SIZE: B
ENGINEER:	DATE:	DRAWING NO: R4108-15
APPROVED:	DATE:	SCALE: NONE
APPROVED:	DATE:	SHEET 1 of 1