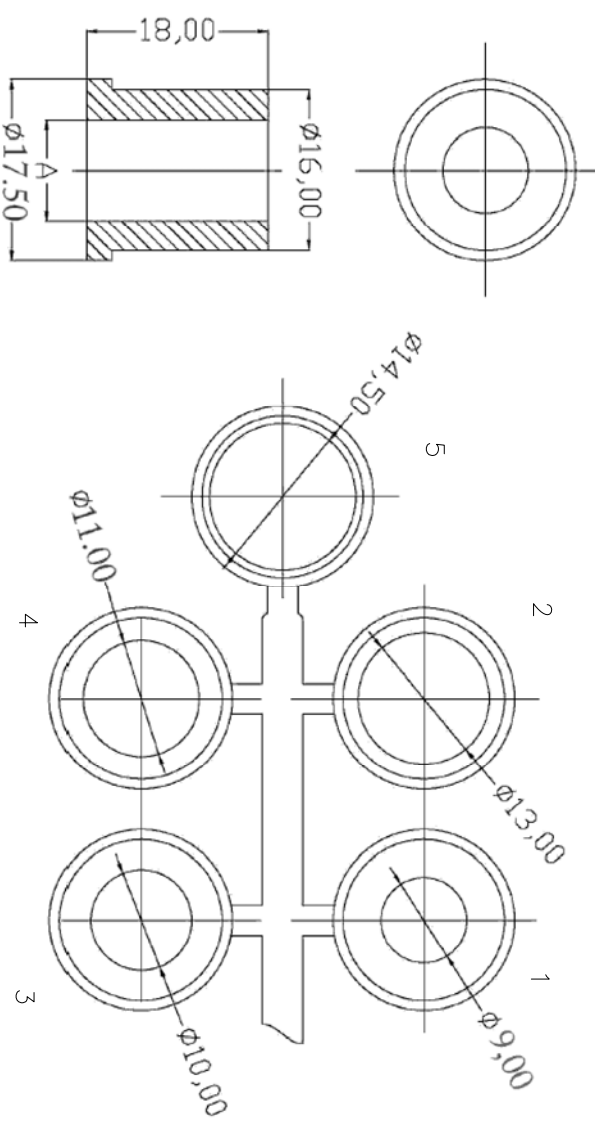


RoHS compliant

REV	ECO NO.	DATE	BY	APP'D
B	Hole no. order PER ECO 002	01/21/13	KL	
C	material TPR PER ECO 003	01/21/13	KL	



DIM A (mm)	1	2	3	4	5
ø9.00					
ø13.00					
ø10.00					
ø11.00					
ø14.50					

Tolerance	±0.35
.x	±0.25
.xx	

UNIT: mm

CONFIDENTIAL



GROMMET

© Copyright 2013 Regal Electronics, Inc. This drawing is the property of Regal Electronics and contains confidential information, trade secret information and/or know-how which is the property of Regal Electronics. By accepting this drawing, the recipient agrees not to provide, or otherwise make available, the drawing or any information or know-how embodied therein, to any third party without prior written authorization.

DRAWN: KIM	DATE: 2/26/08	TITLE: GROMMET
CHECKED:	DATE:	
ENGINEER:	DATE:	
APPROVED:	DATE:	
APPROVED:	DATE:	
APPROVED:	DATE:	
SCALE: NONE	DRAWING NO. R4800-37	REV C
SHEET 1	OF 1	

5 4 3 2 1