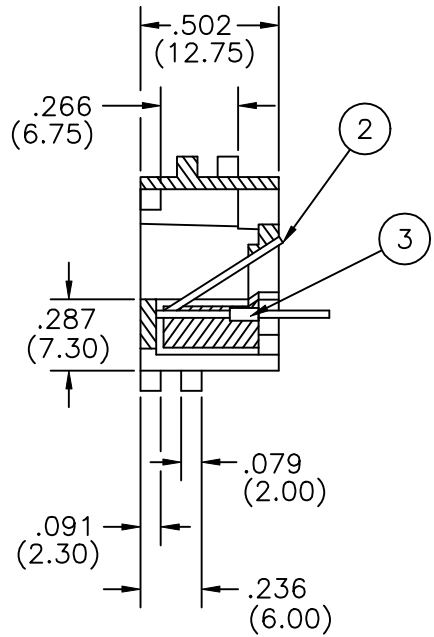
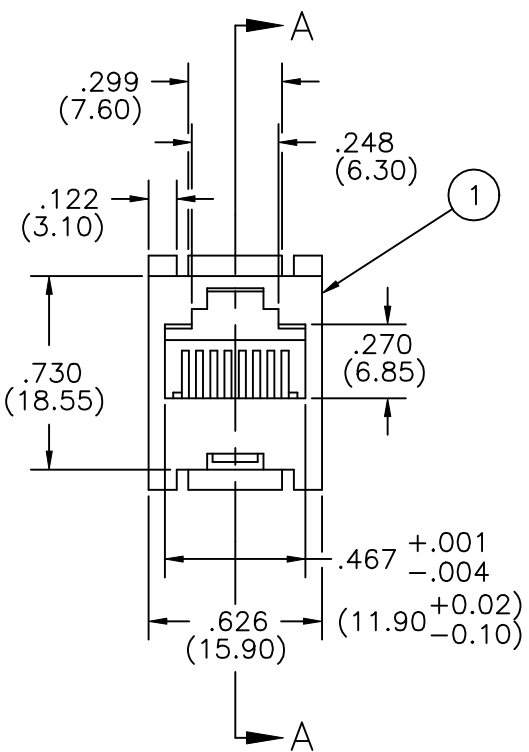
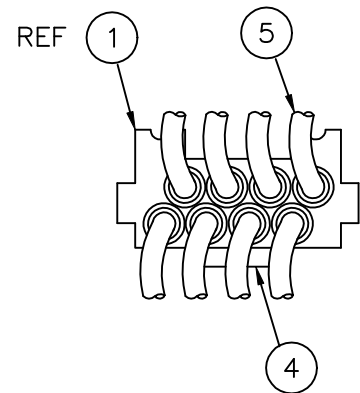


REV	ECO NO.	DATE	BY	APP'D
A	REL TO PRODUCTION PER ECO 001	4/04/06	KL	WEK



SECTION A-A



**ELECTRICAL:**  
 .Current rating: 5 AMP maximum  
 .Insulation resistance: 1000 Megohms minimum  
 .Contact resistance: 15 MilliOhms maximum  
 .Dielectric withstanding voltage: 1000 VAC  
 .Operating temperature: -55°C to +105°C

**MATERIALS:**  
 .Housing: PBT, UL94V-0  
 .Contacts: Phosphor Bronze, Gold/Tin Plated  
 .Shield : Steel, Tin plated


ITEM	DESCRIPTION	QTY	REMARKS
1	HOUSING	1	
2	GOLD WIRE	2-8	CG191-H
3	TERMINAL	2-8	
4	INSERT HOUSING	1	
5	LEAD WIRE	2-8	

NOTE:  
 This component is RoHS compliant

Tolerance	
.x	±0.35
.xx	±0.25

UNIT: mm

© Copyright 2006 Regal Electronics, Inc. This drawing is the property of Regal Electronics and contains confidential information, trade secret information and/or know-how which is the property of Regal Electronics. By accepting this drawing, the recipient agrees not to provide, or otherwise make available, the drawing or any information or know-how embodied therein, to any third party without prior written authorization.



**TITLE:**  
 Modular Jacks  
 With Wire Leads

DRAWN: KIM	DATE: 4/04/06	SIZE: B	DRAWING NO. R641D-BK	REV: A
CHECKED:	DATE:	SCALE: NONE	SHEET 1 OF 1	
ENGINEER:	DATE:			
APPROVED:	DATE:			
APPROVED:	DATE:			
APPROVED:	DATE:			