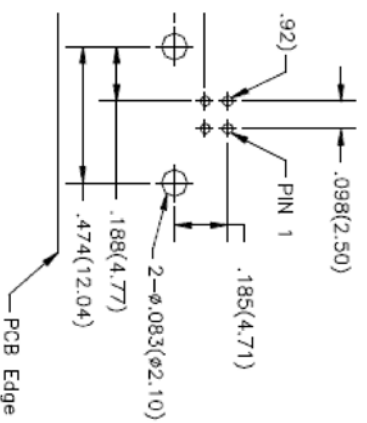
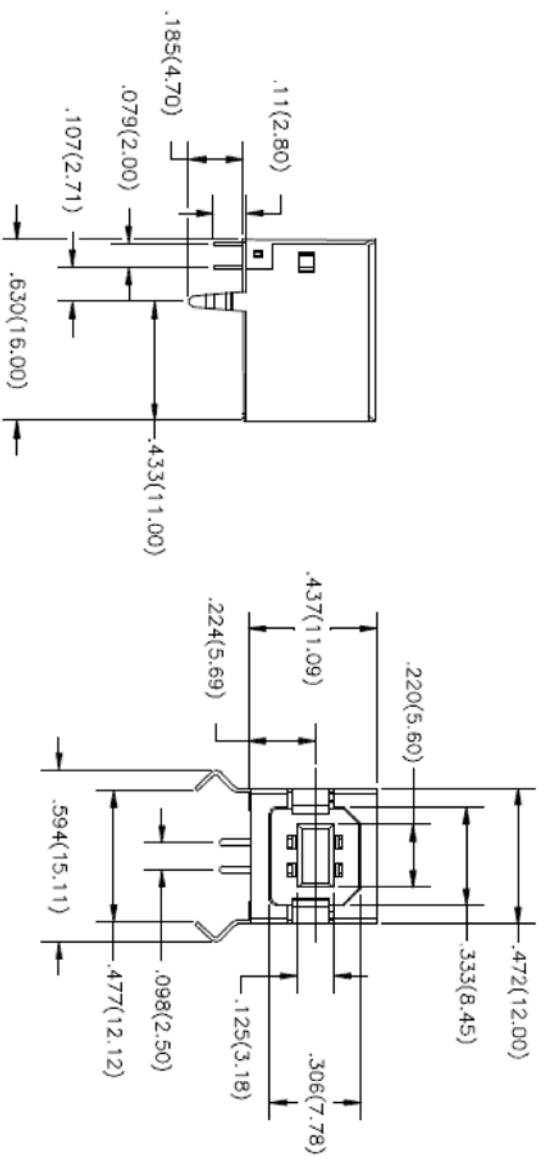


ROHS COMPLIANT

REV	ECO NO.	DATE	BY	APP'D
A	REL TO PRODUCTION PER ECO 001	7/06/12	KL	

DWG NO. R90-B



UNIT: INCHES(mm)

Tolerance	±0.25
.xx	±0.13
.xxx	±0.13
ang.	±1°

CONFIDENTIAL



USB TYPE B

© Copyright 2012 Regal Electronics, Inc. This drawing is the property of Regal Electronics and contains confidential information, trade secret information and/or know-how which is the property of Regal Electronics. By accepting this drawing, the recipient agrees not to provide, or otherwise make available, the drawing or any information or know-how embodied therein, to any third party without prior written authorization.

DRAWN:	KIM	DATE:	7/06/12	TITLE:	USB TYPE B		
CHECKED:		DATE:		SCALE:	NONE	SHEET:	1 of 1
ENGINEER:		DATE:		SIZE:	B	DRAWING NO.:	R90-B
APPROVED:		DATE:		REV:	A		
APPROVED:		DATE:					

5 4 3 2 1

5 4 3 2 1