

5

4

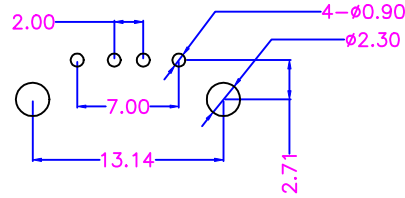
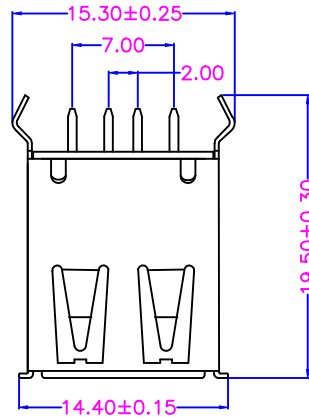
3

2

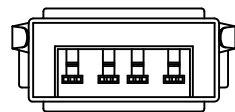
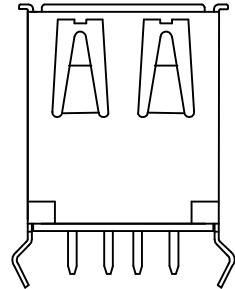
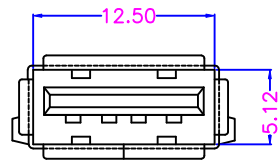
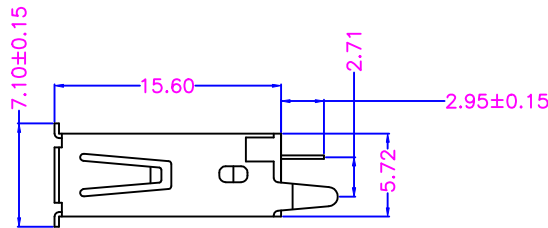
1

DWG NO. R90S-A-S

REV	ECO NO.	DATE	BY	APP'D
A	REL TO PRODUCTION PER ECO 001	3/20/06	KL	
B	add plating data PER ECO 002	5/12/06	KL	



P.C.B.LAYOUT



- Material:  
 Contacts: Phosphone Bronze  
 Insulator: PBT+30% G.F UL 94V-0  
 Shell: BRASS
- Mechanical:  
 Mating: 35N max  
 Withdrawal Force: 10N min  
 Durability: 1500 cycles min.
- Electrical:  
 Current-max[amps] 1.5A  
 Voltage-max[volls] 30V  
 Withslonding Voltage 750V AC  
 Contact Resistance[ohms] 30 milliohms max  
 Insulation Resistance[ohms] 1000 Megohms min
- Plating:  
 Contacts: Gold (1.04~1.12μ), Tin (106.75~115.42μ) Over Nickel (55.66~64.25μ) Plated  
 Shell: Nickel (111.9~119.1μ) over Brass
- Environmental  
 Temperature Ronge -55°C ~ +85°C

Tolerance	
.x	±0.30
.xx	±0.25

UNIT: mm

CONFIDENTIAL



NOTE:  
 This component and all homogeneous subcomponents are RoHS compliant

© Copyright 2006 Regal Electronics, Inc. This drawing is the property of Regal Electronics and contains confidential information, trade secret information and/or know-how which is the property of Regal Electronics. By accepting this drawing, the recipient agrees not to provide, or otherwise make available, the drawing or any information or know-how embodied therein, to any third party without prior written authorization.

DRAWN: KIM	DATE 3/20/06	TITLE: USB A Type PCB Connector	
CHECKED:	DATE		
ENGINEER:	DATE		
APPROVED:	DATE		
APPROVED:	DATE	SIZE B	DRAWING NO. R90S-A-S
APPROVED:	DATE	SCALE: NONE	REV B
		SHEET 1 OF 1	

5

4

3

2

1

D  
C  
B  
A  
C-R90S-A-S

D  
C  
B  
A