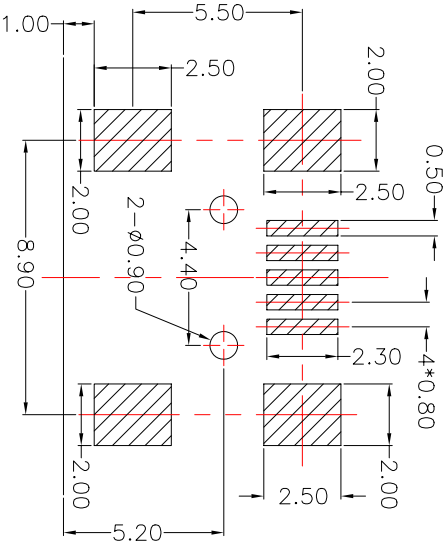
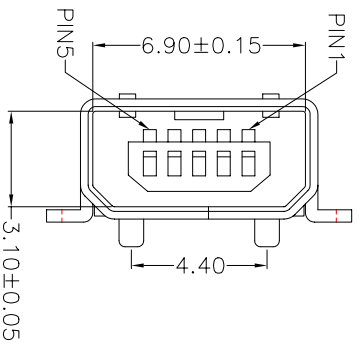
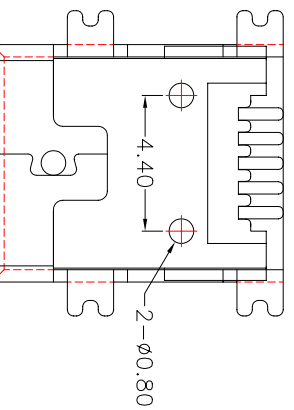
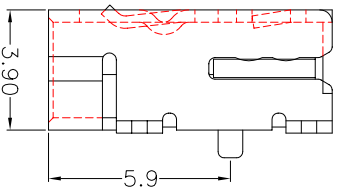
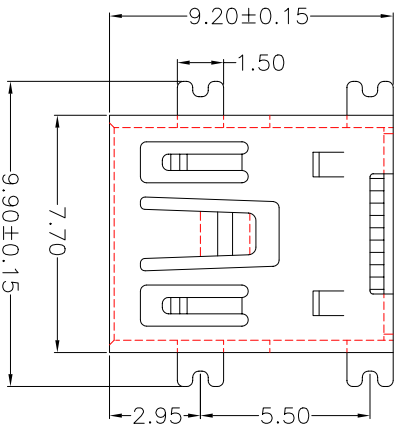


ROHS COMPLIANT



PC BOARD LAYOUT

Tolerance
 .x ±0.2
 .xx ±0.1
 ang. ±2°

UNIT: mm

CONFIDENTIAL



© Copyright 2008 Regal Electronics, Inc.
 This drawing is the property of Regal Electronics and contains confidential information, trade secret information and/or know-how which is the property of Regal Electronics. By accepting this drawing, the recipient agrees not to provide, or otherwise make available, the drawing or any information or know-how embodied therein, to any third party without prior written authorization.

DRAWN: KIM	DATE: 11/6/08	TITLE: MINI USB
CHECKED:	DATE:	5PF SMT
ENGINEER:	DATE:	AB TYPE
APPROVED:	DATE:	SIZE: B
APPROVED:	DATE:	DRAWING NO: R91-5PF-SMT-AB
APPROVED:	DATE:	SCALE: NONE
		SHEET 1 of 1

- Specifications:**
- Electrical: Contact Resistance: 50 Milliohms Max. Dielectric Withstanding Voltage: 100Vac Insulation Resistance: 100 Megohms Min.
 - Material: Housing: High Temperature Thermoplastics, UL 94V-0
 - Contact: Copper Alloy
 - Shell: Copper Alloy
 - Finish: Contact: Gold Flash Plated in Contact Area
Tin on Solder Tail
Shell: Nickel Plated

5 4 3 2 1

REV	ECO NO.	DATE	BY	APP'D
A	REL TO PRODUCTION PER ECO 001	11/6/08	KL	

DWG NO. R91-5PF-SMT-AB