

5

4

3

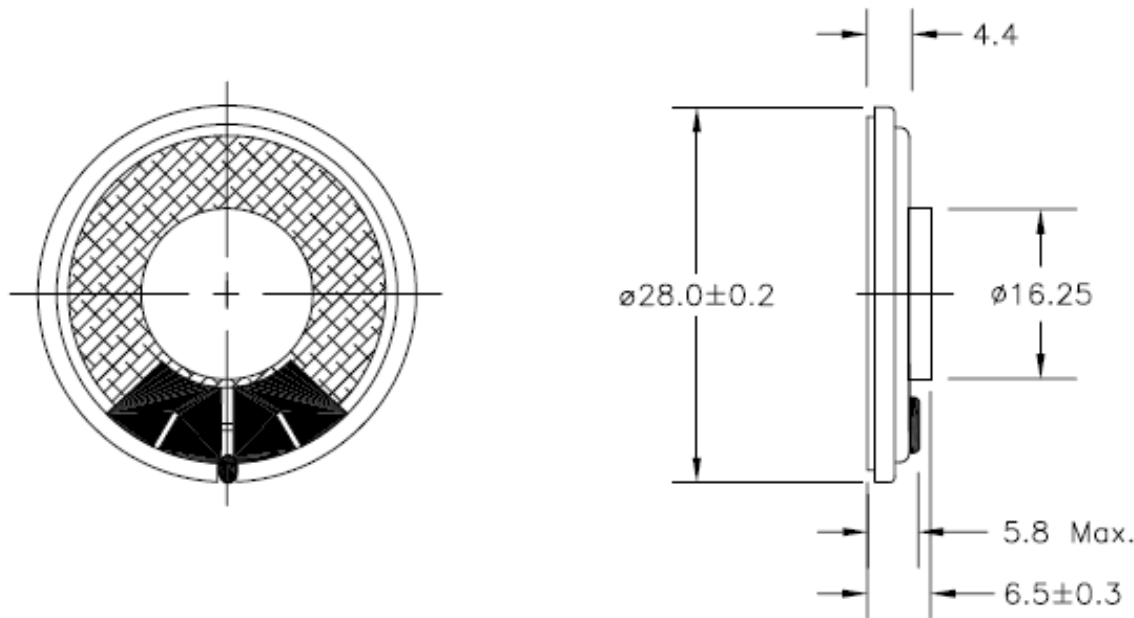
2

1

DWG NO. RH-28-EMNL

RoHS COMPLIANT

REV	ECO NO.	DATE	BY	APP'D
A	REL TO PRODUCTION PER ECO 001	1/08/08	KL	



Tolerance  $\pm 0.3$ mm UNIT: mm

SPECIFICATION:

Rated Impedance	8 Ohms $\pm 15\%$
Rated Power	1W Max. 1.5W
Resonant Frequency	550Hz $\pm 20\%$
Effective Freq. Range	100~20K Hz
SPL (at 0.1w, 0.1m)	91 $\pm 3$ dB
Operating Temperature	-20°C~+50°C
Storage Temperature	-25°C~+60°C

CONFIDENTIAL



© Copyright 2008 Regal Electronics, Inc. This drawing is the property of Regal Electronics and contains confidential information, trade secret information and/or know-how which is the property of Regal Electronics. By accepting this drawing, the recipient agrees not to provide, or otherwise make available, the drawing or any information or know-how embodied therein, to any third party without prior written authorization.

DRAWN: KIM	DATE 1/08/08
CHECKED:	DATE
ENGINEER:	DATE
APPROVED:	DATE
APPROVED:	DATE
APPROVED:	DATE

TITLE: <b>HIGH POWER MINIATURE SPEAKER</b>		
SIZE <b>B</b>	DRAWING NO. RH-28-EMNL	REV A
SCALE: NONE	SHEET 1 OF 1	

5

4

3

2

1

C-RH-28-EMNL

A