

5

4

3

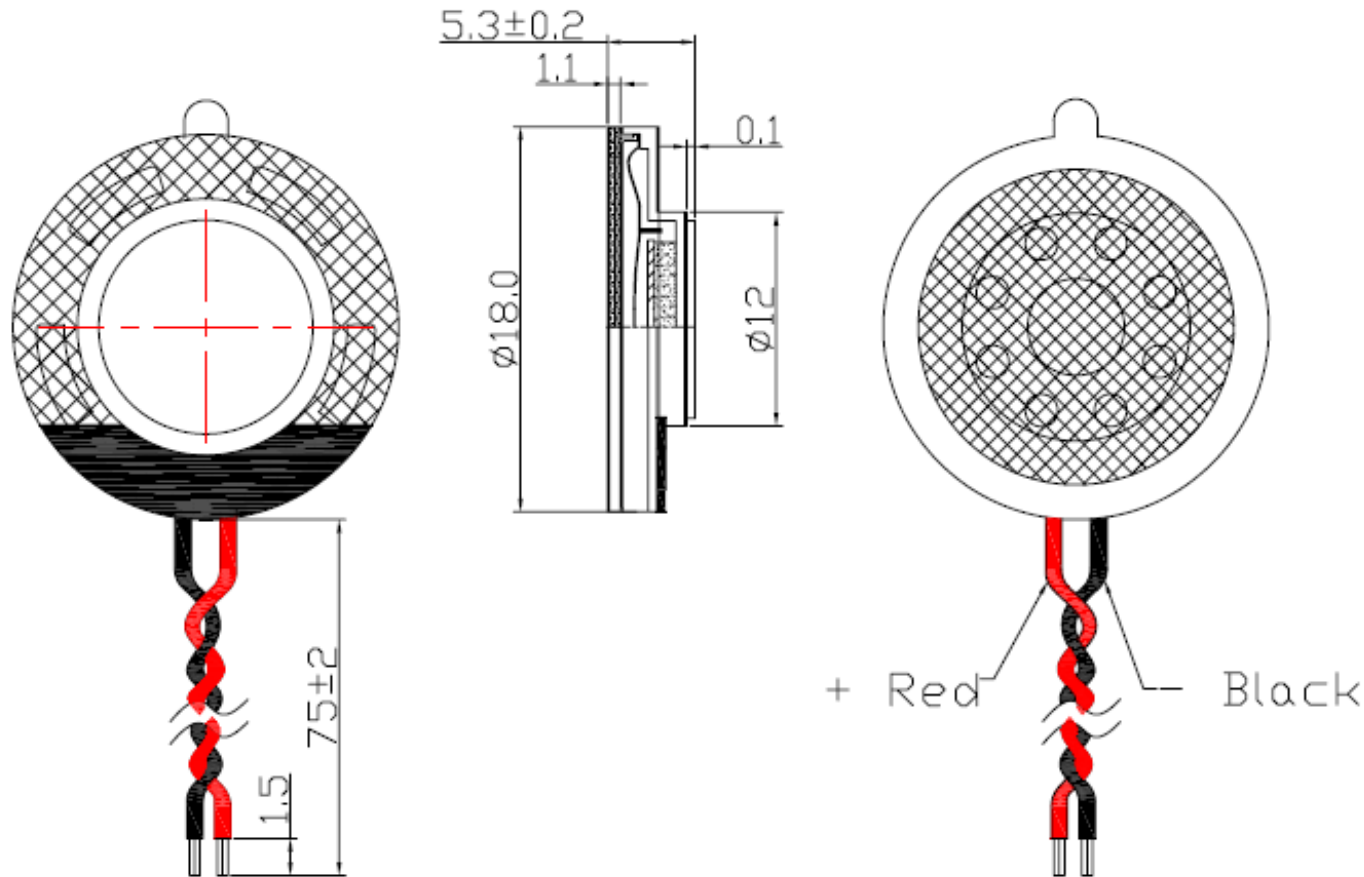
2

1

DWG NO. RM-1853-NL

RoHS COMPLIANT

REV	ECO NO.	DATE	BY	APP'D
A	REL TO PRODUCTION PER ECO 001	05/17/10	KL	



Tolerance ±0.3mm UNIT: mm

SPECIFICATION:

Rated Impedance	8 Ohms ±15%
Rated Power	0.7W Max. 1.0W
Resonant Frequency	950Hz ±20%
Effective Freq. Range	700~20K Hz
SPL (at 0.5w, 0.1m)	97±3 dB
Operating Temperature	-20°C~+80°C
Storage Temperature	-40°C~+80°C

CONFIDENTIAL

© Copyright 2010 Regal Electronics, Inc. This drawing is the property of Regal Electronics and contains confidential information, trade secret information and/or know-how which is the property of Regal Electronics. By accepting this drawing, the recipient agrees not to provide, or otherwise make available, the drawing or any information or know-how embodied therein, to any third party without prior written authorization.



DRAWN: KIM	DATE: 05/17/10	TITLE: MICRO SPEAKER	
CHECKED:	DATE:		
ENGINEER:	DATE:		
APPROVED:	DATE:		
APPROVED:	DATE:	SIZE: B	DRAWING NO. RM-1853-NL
APPROVED:	DATE:	SCALE: NONE	REV: A
		SHEET 1 OF 1	

5

4

3

2

1

D  
C  
B  
A  
C-RM-1853-NL